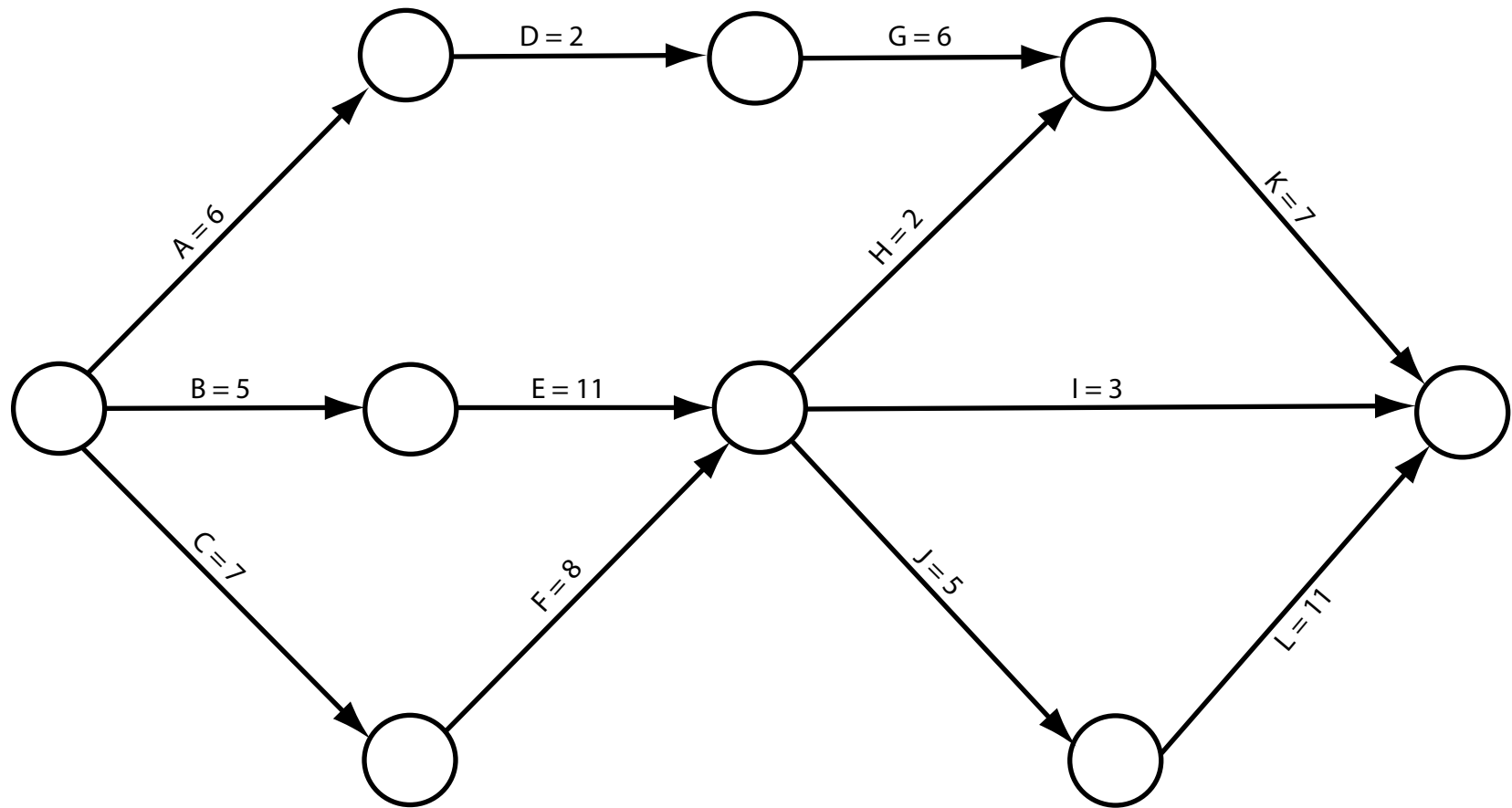


Activity Diagramming Exercises

Exercise 1: Follow Along

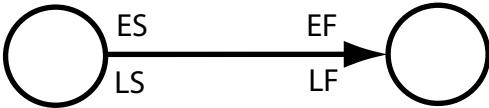
Exercise 2: Do It Yourself



EXERCISE 1

ES = Early Start

EF = Early Finish

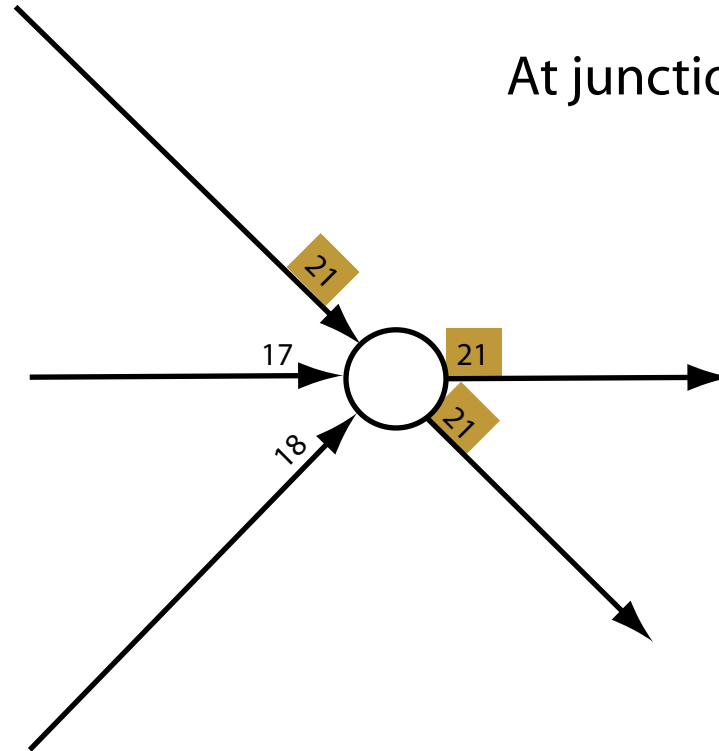


LS = Late Start

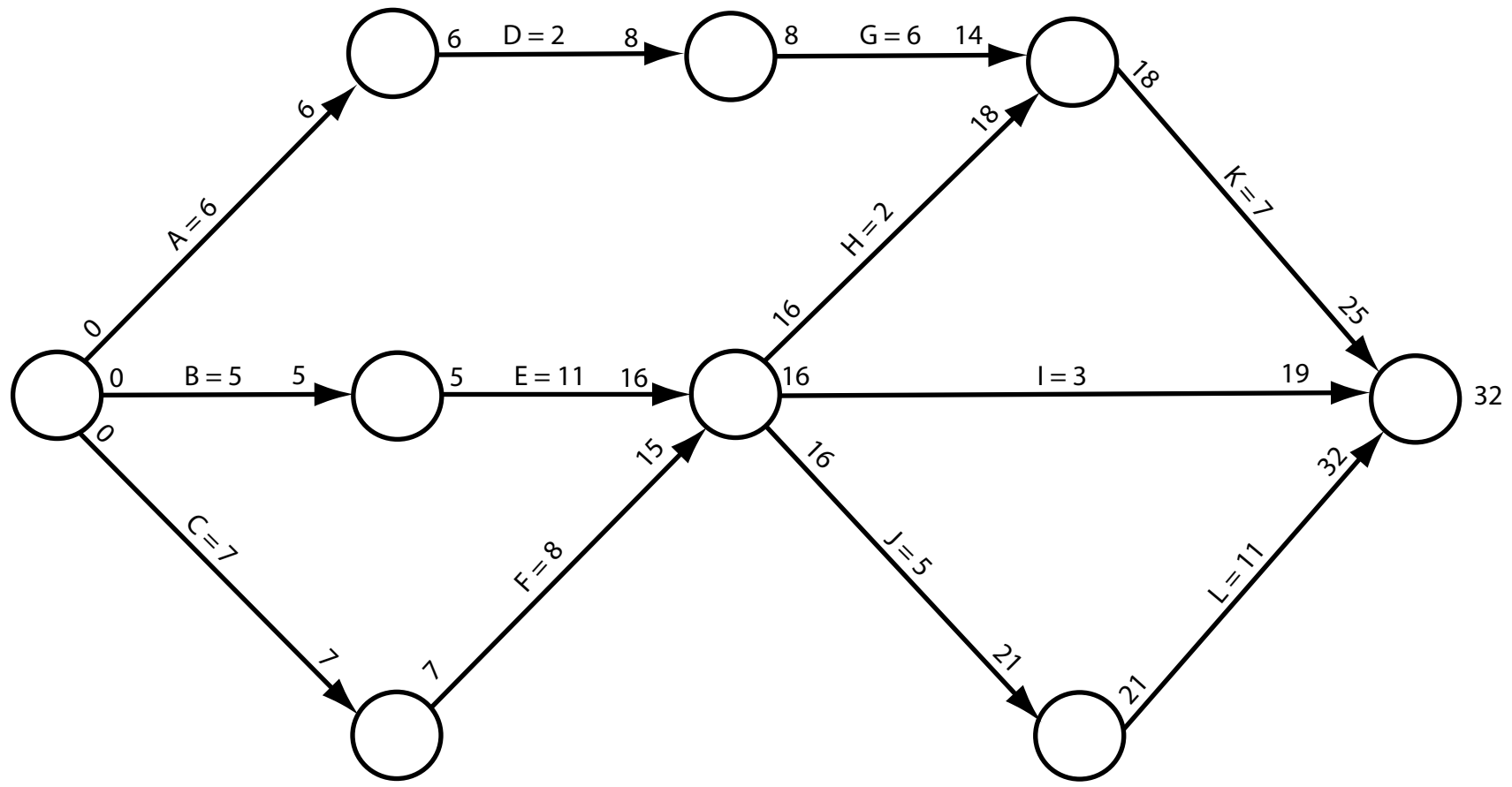
LF = Late Finish

NOTATION FOR PASSES

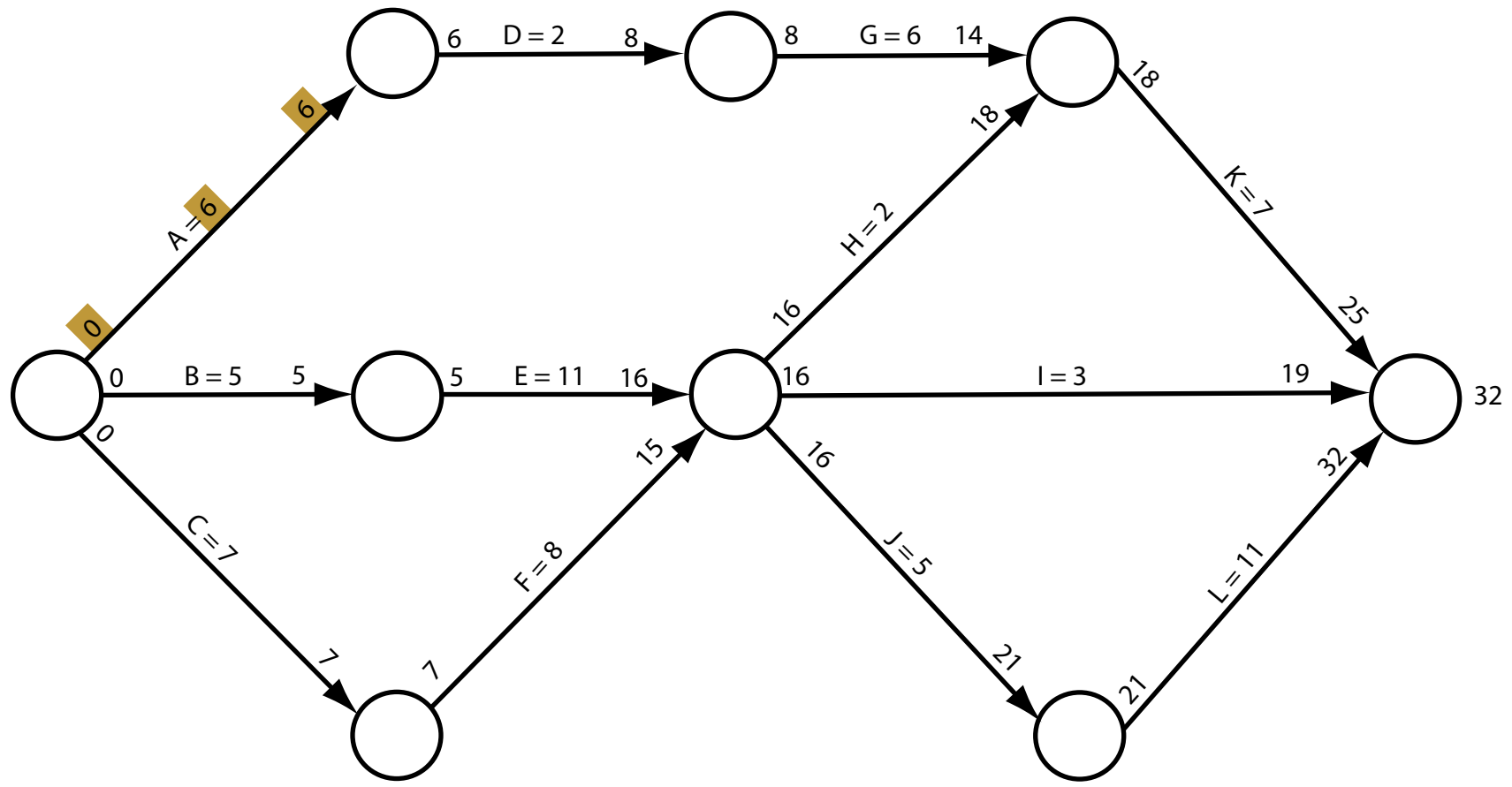
At junction, take **highest** value.



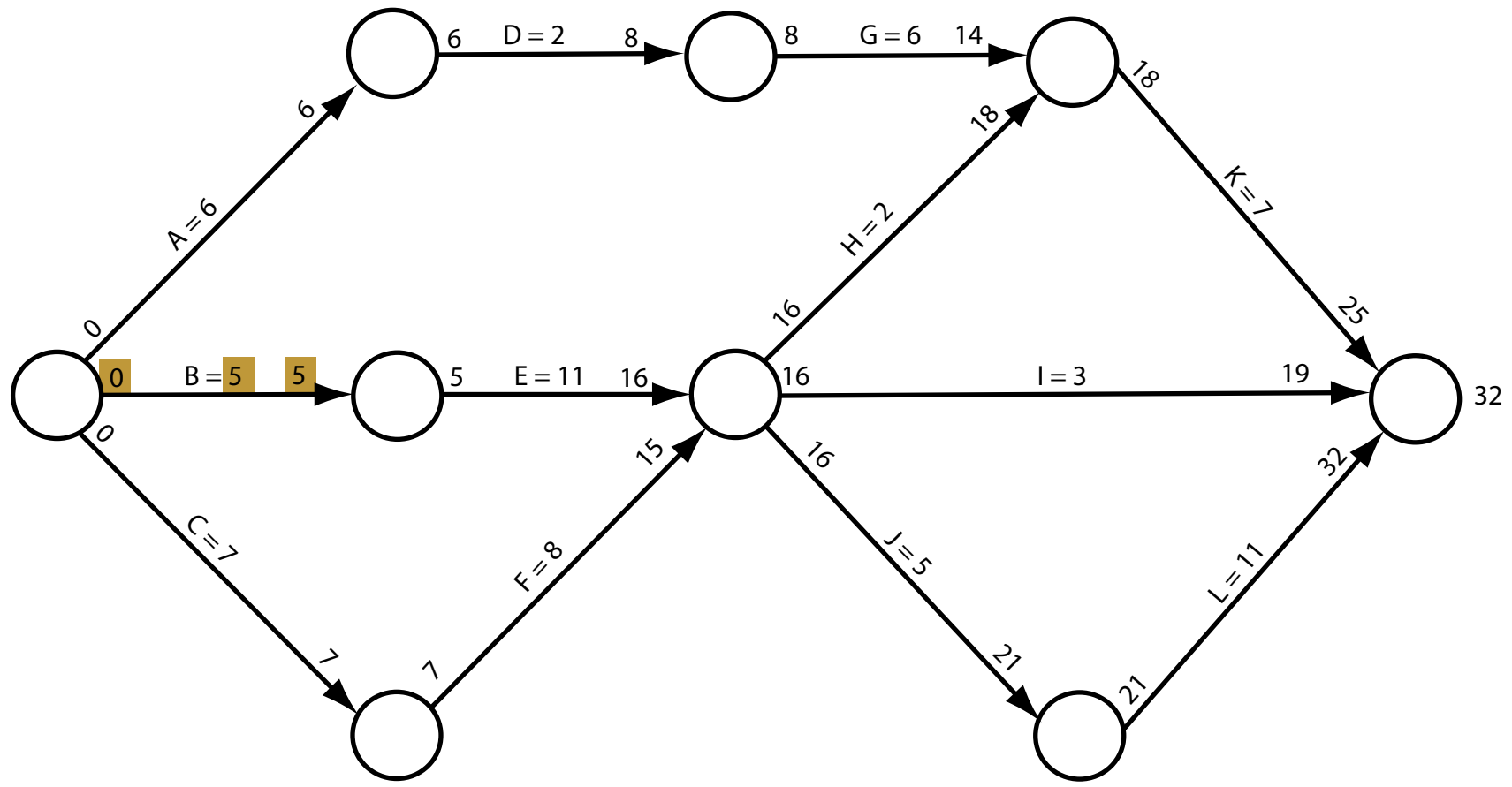
FORWARD PASS (left to right)



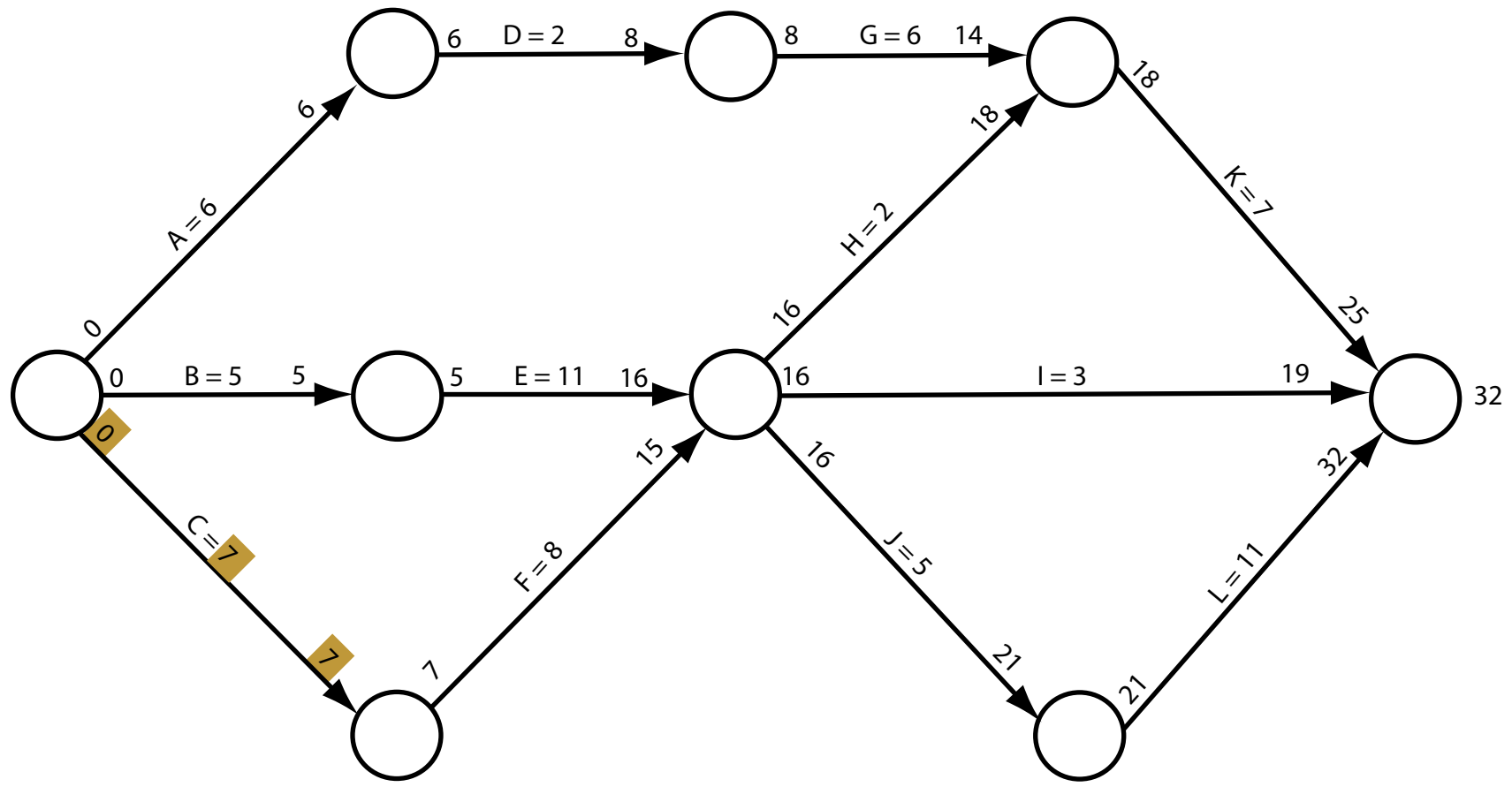
EXERCISE 1 - FORWARD PASS



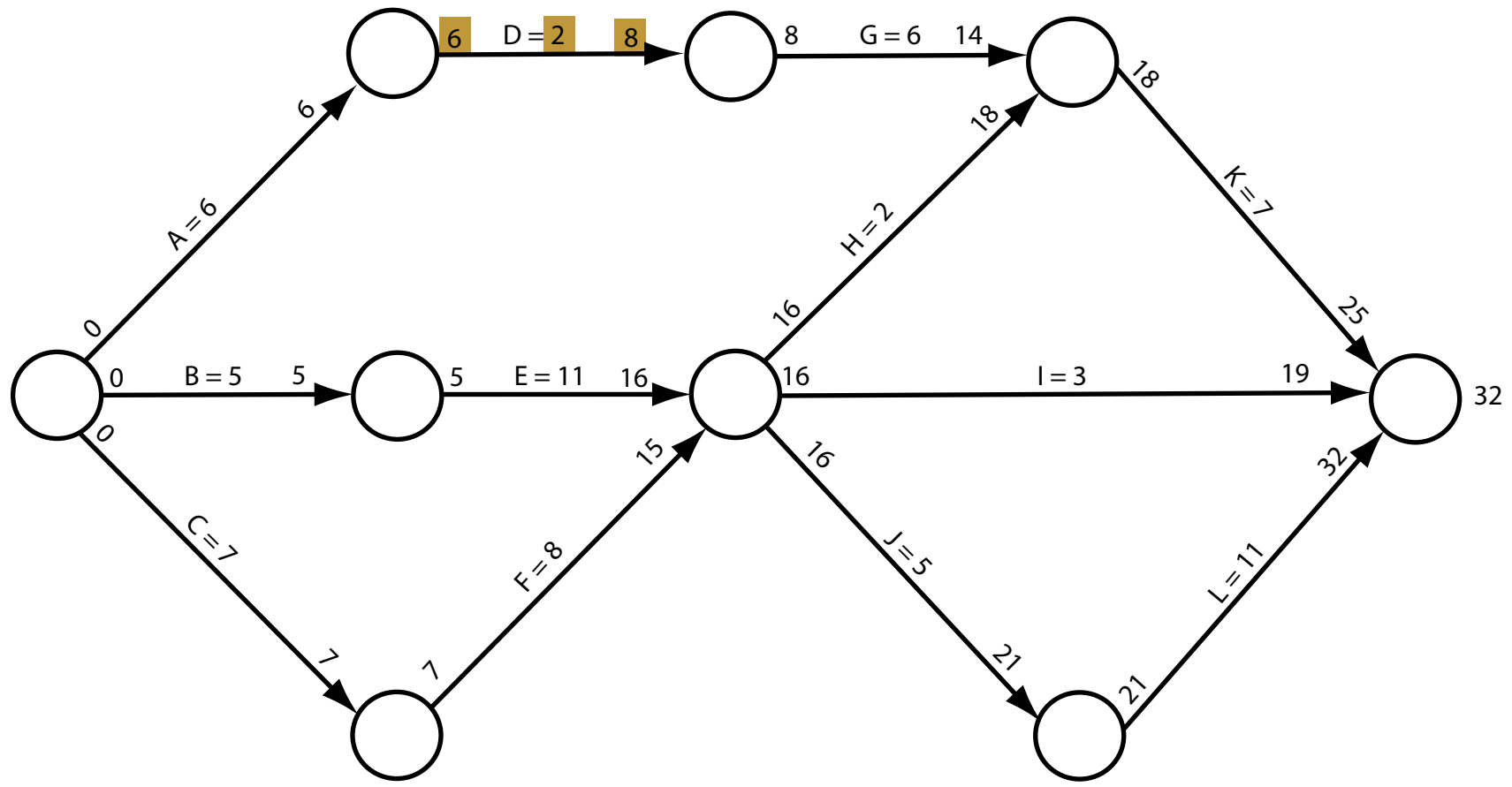
EXERCISE 1 - FORWARD PASS



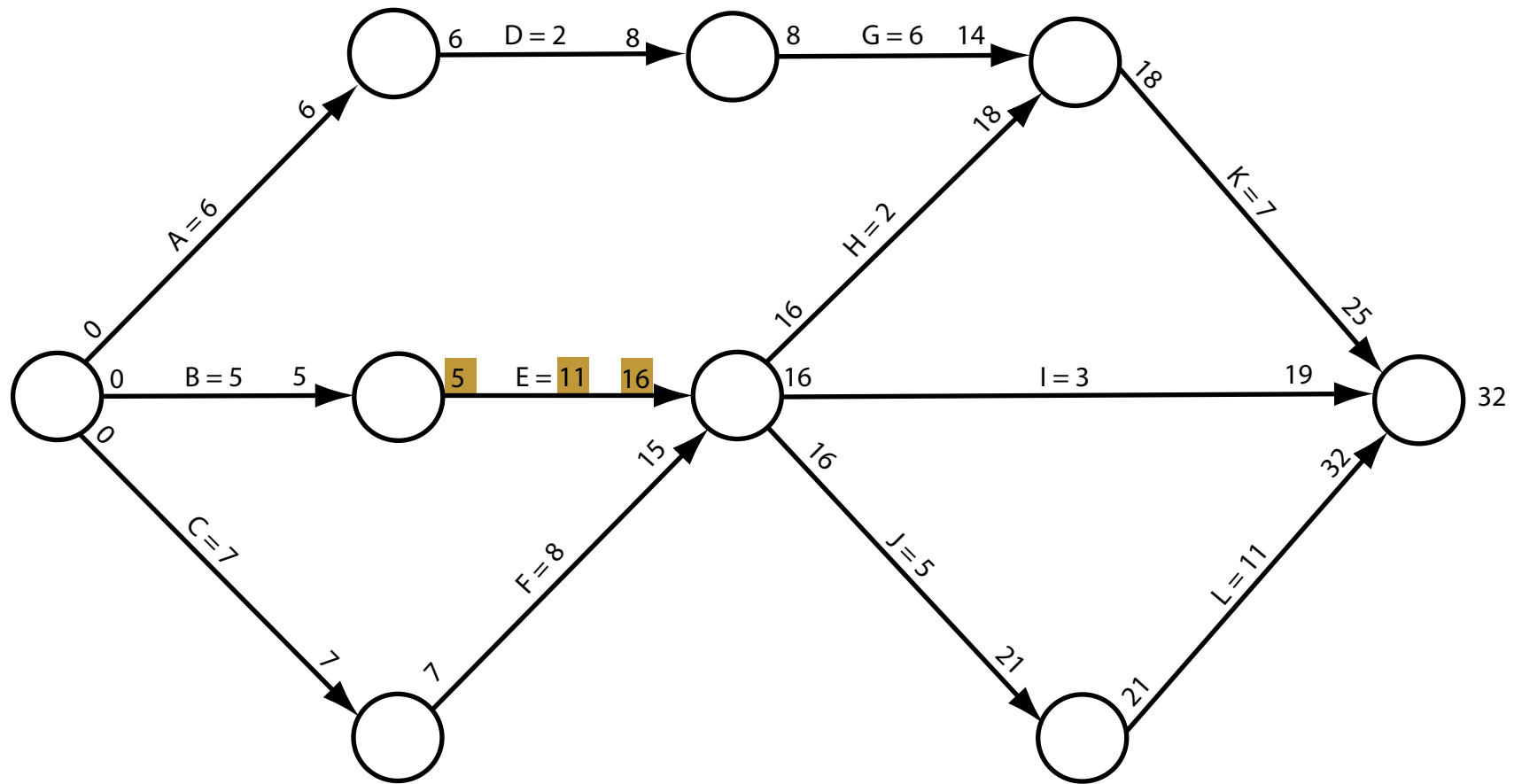
EXERCISE 1 - FORWARD PASS



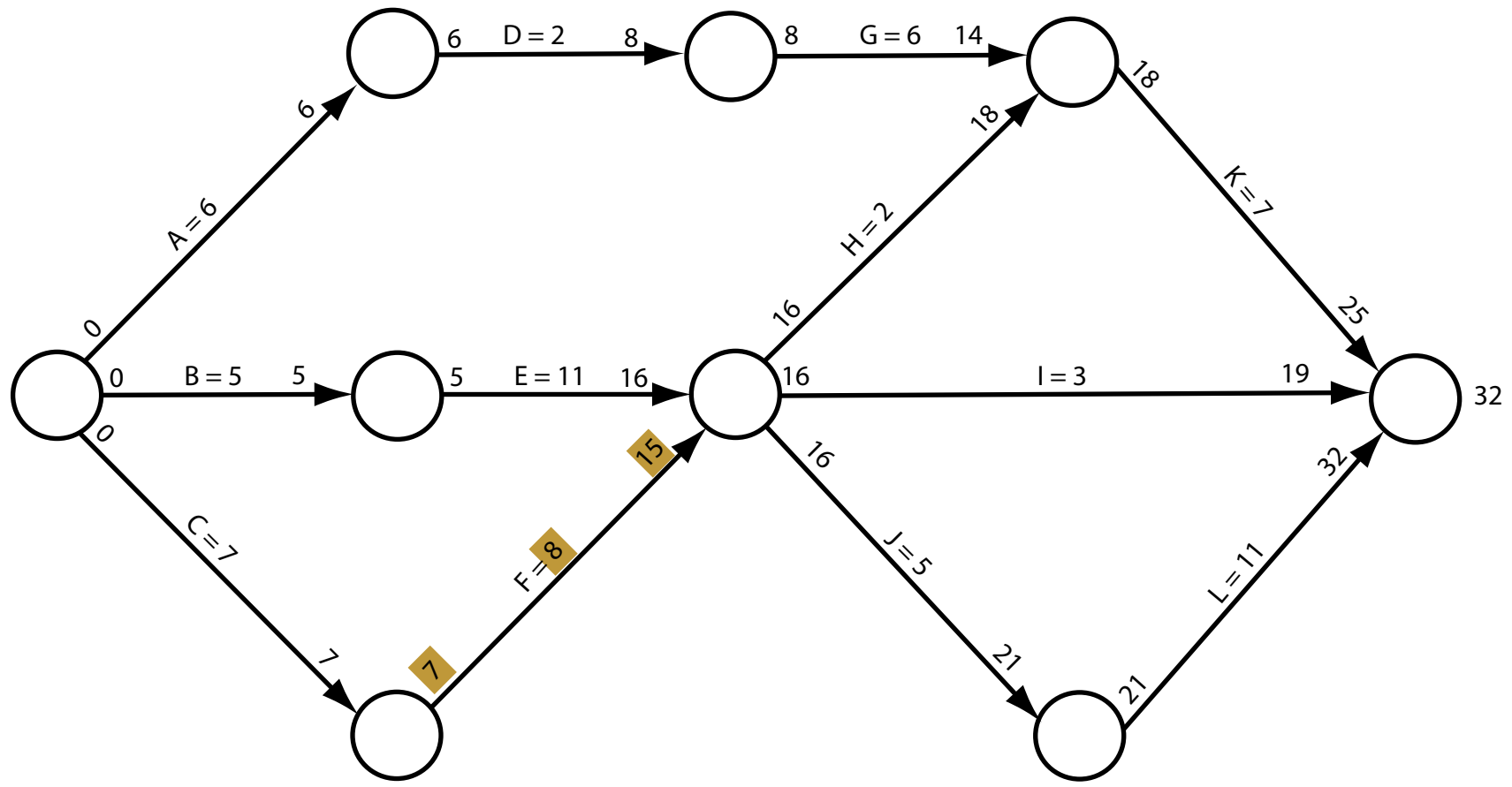
EXERCISE 1 - FORWARD PASS



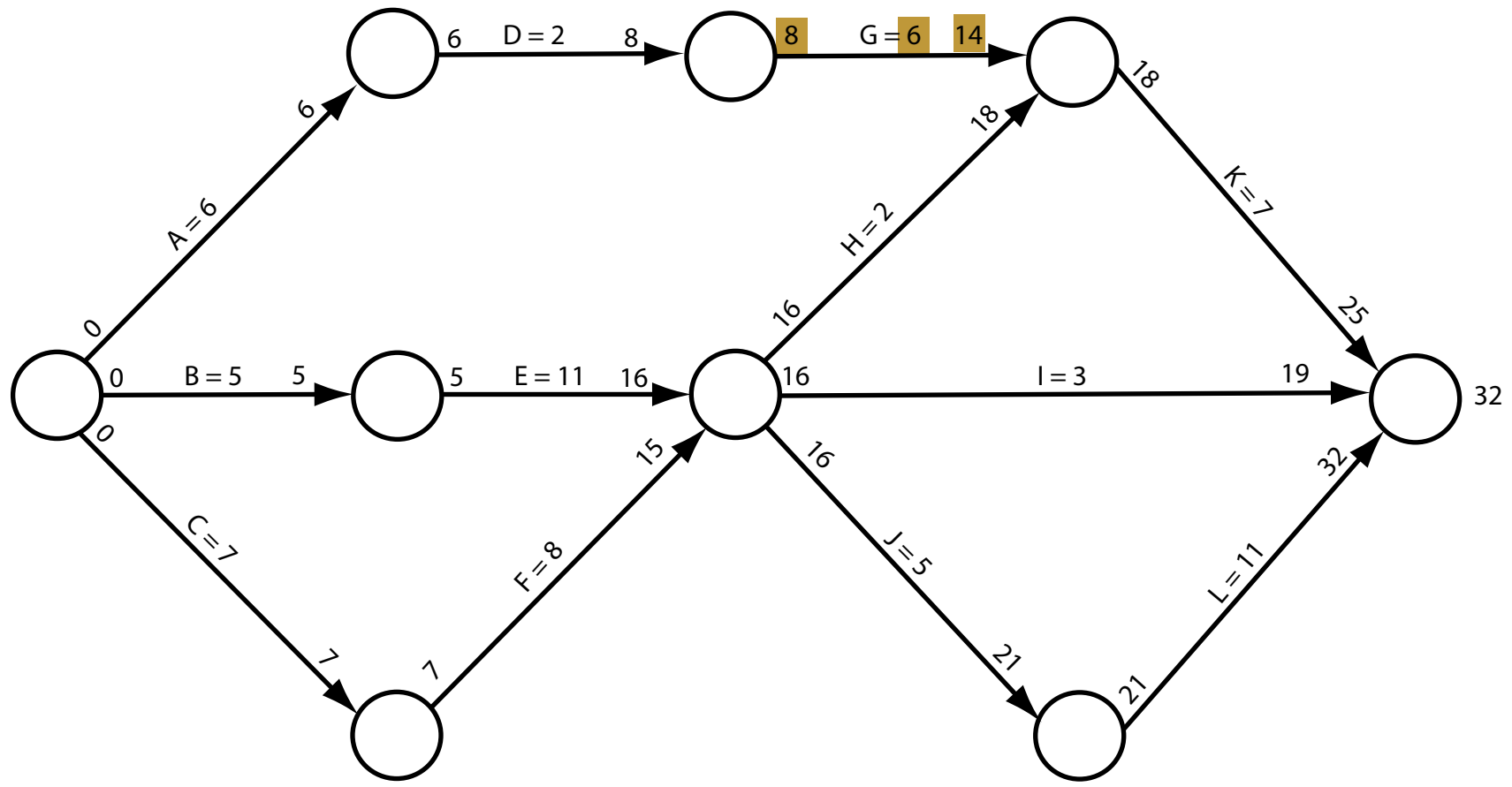
EXERCISE 1 - FORWARD PASS



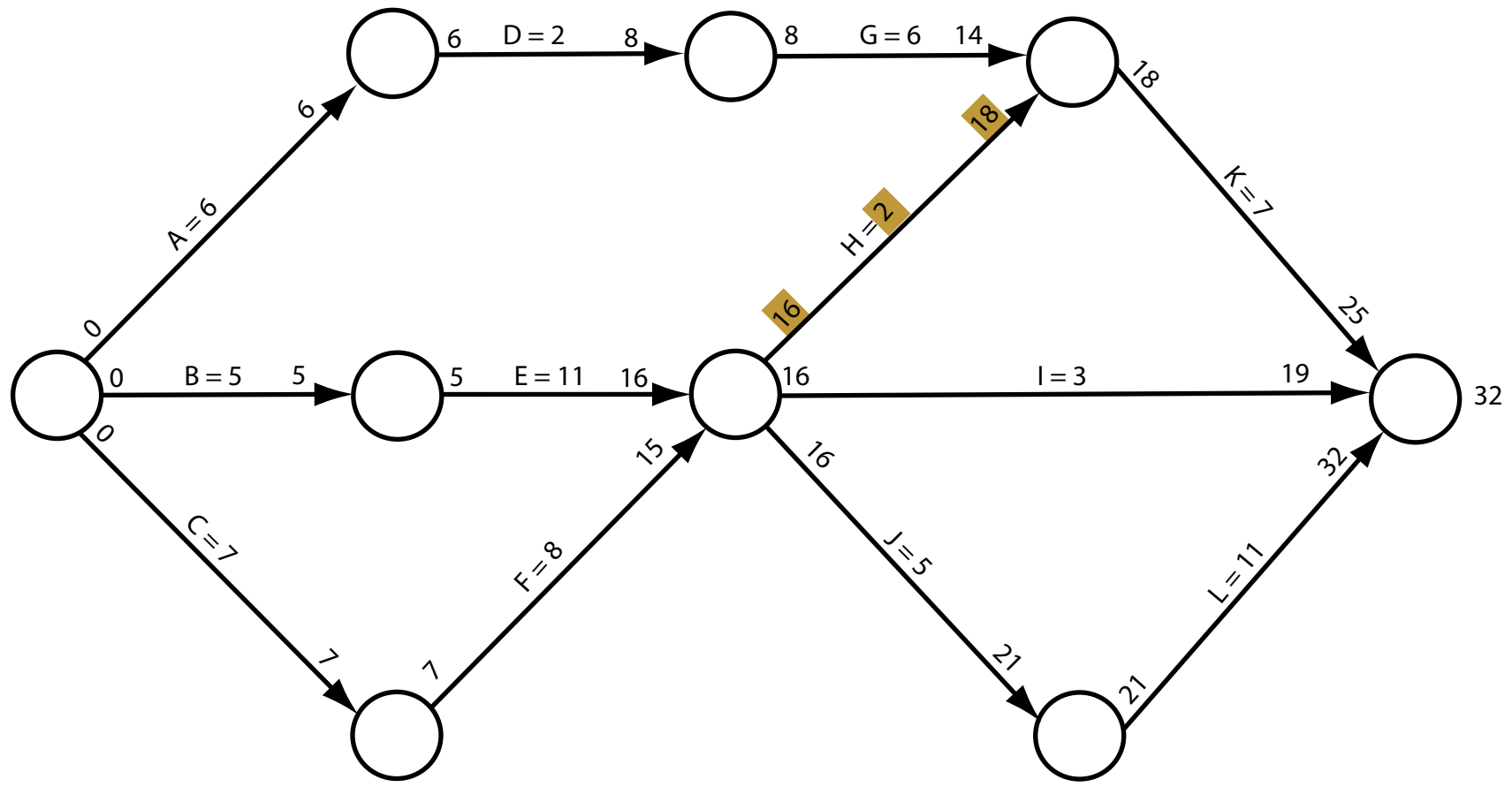
EXERCISE 1 - FORWARD PASS



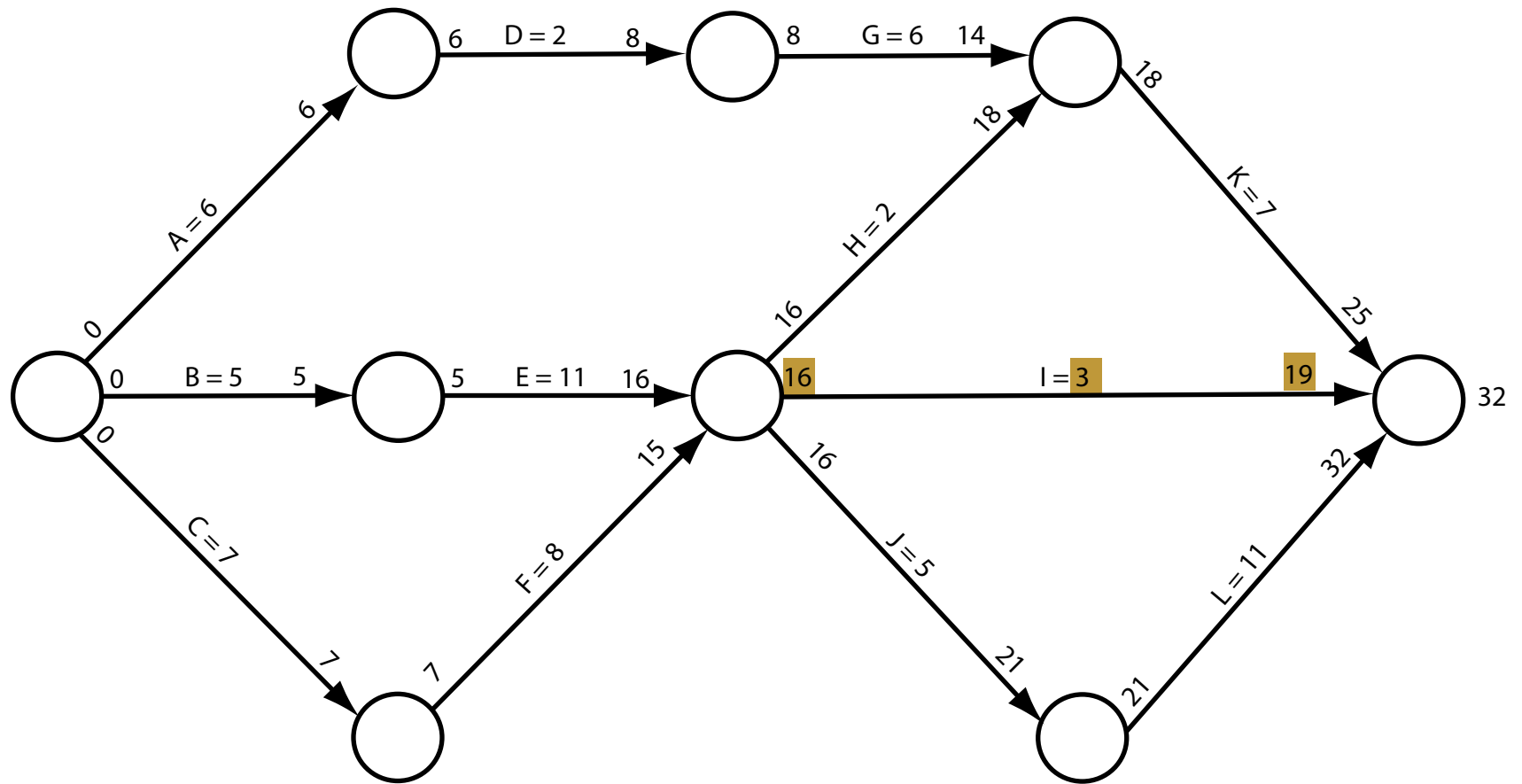
EXERCISE 1 - FORWARD PASS



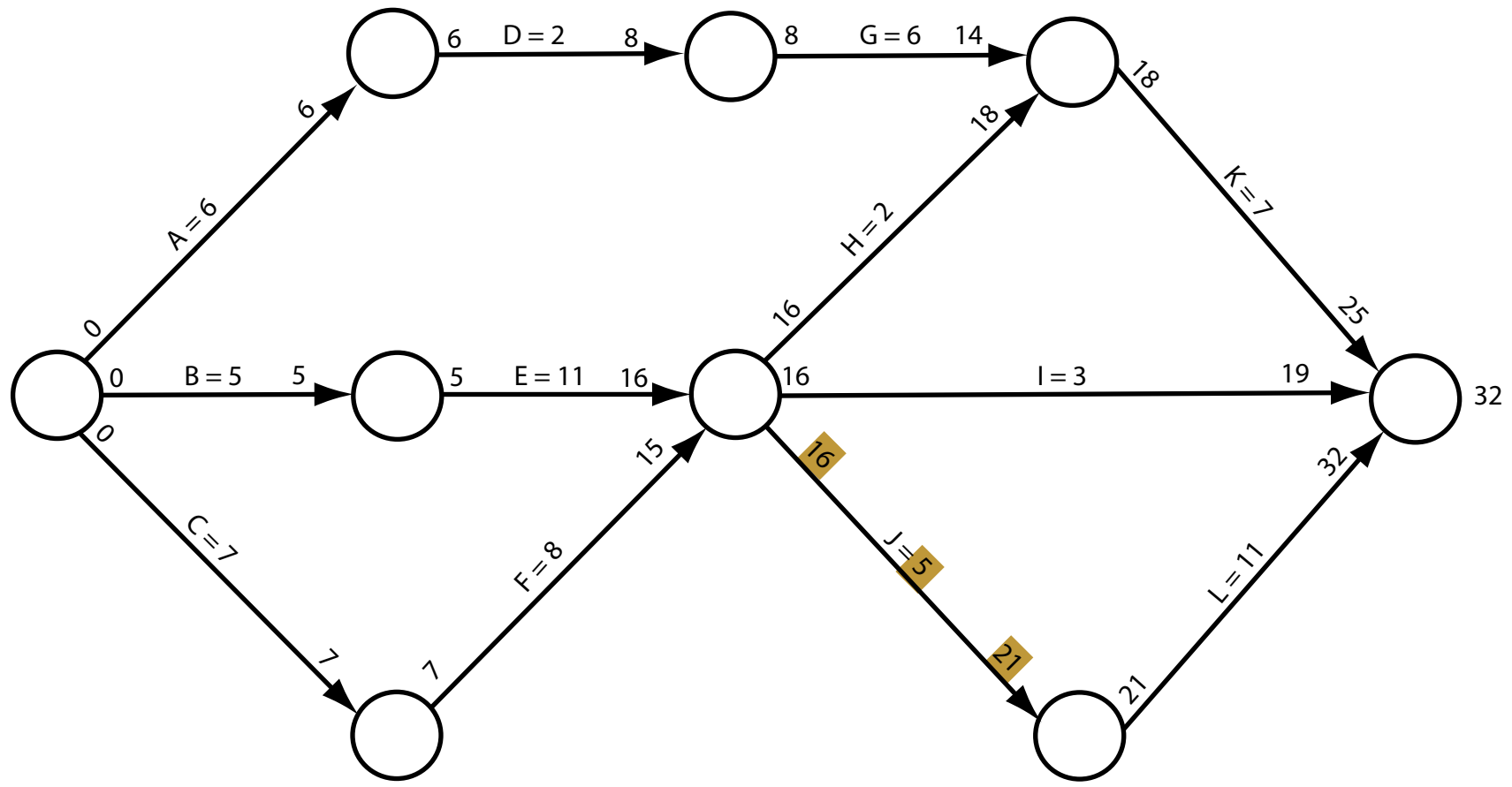
EXERCISE 1 - FORWARD PASS



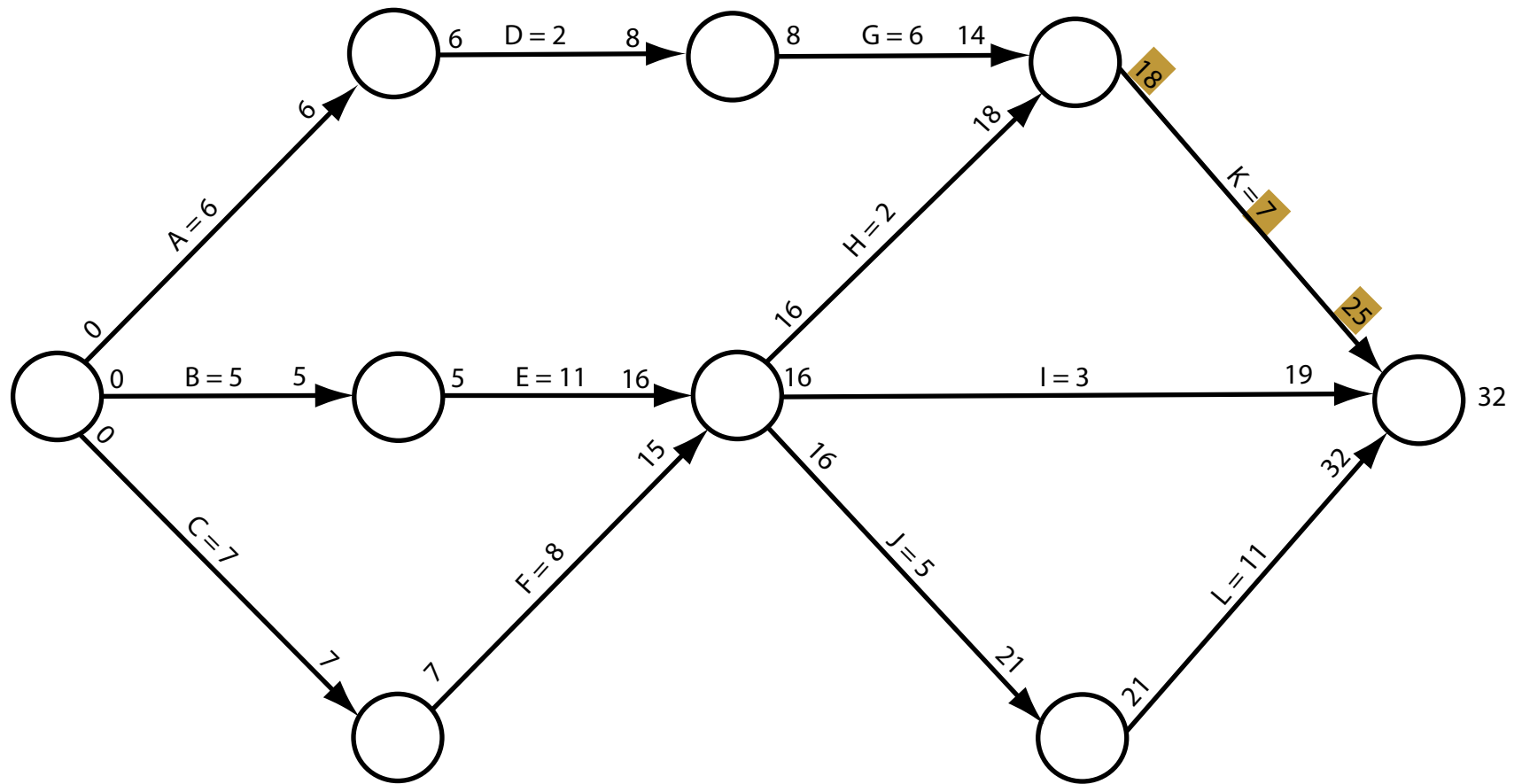
EXERCISE 1 - FORWARD PASS



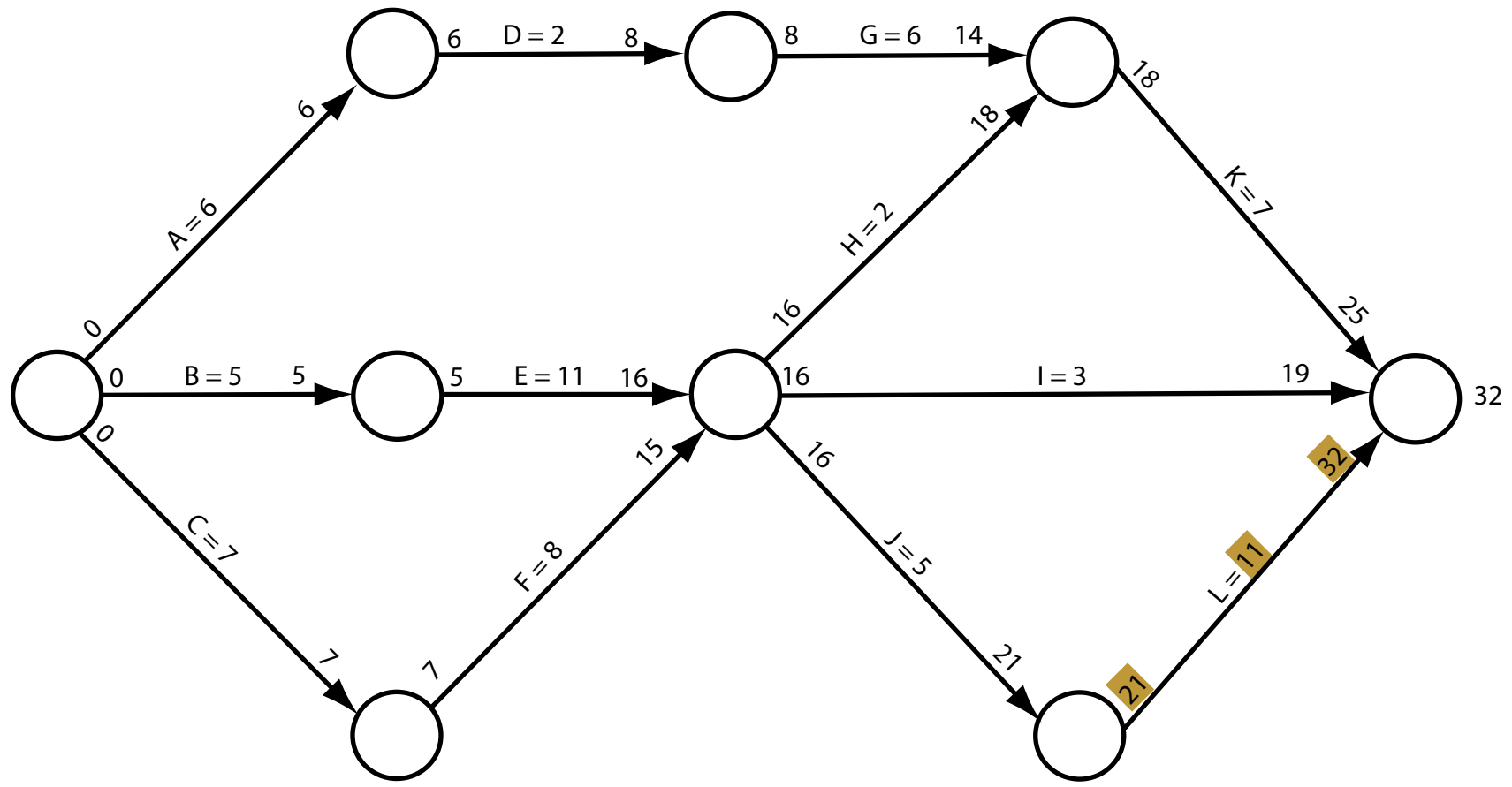
EXERCISE 1 - FORWARD PASS



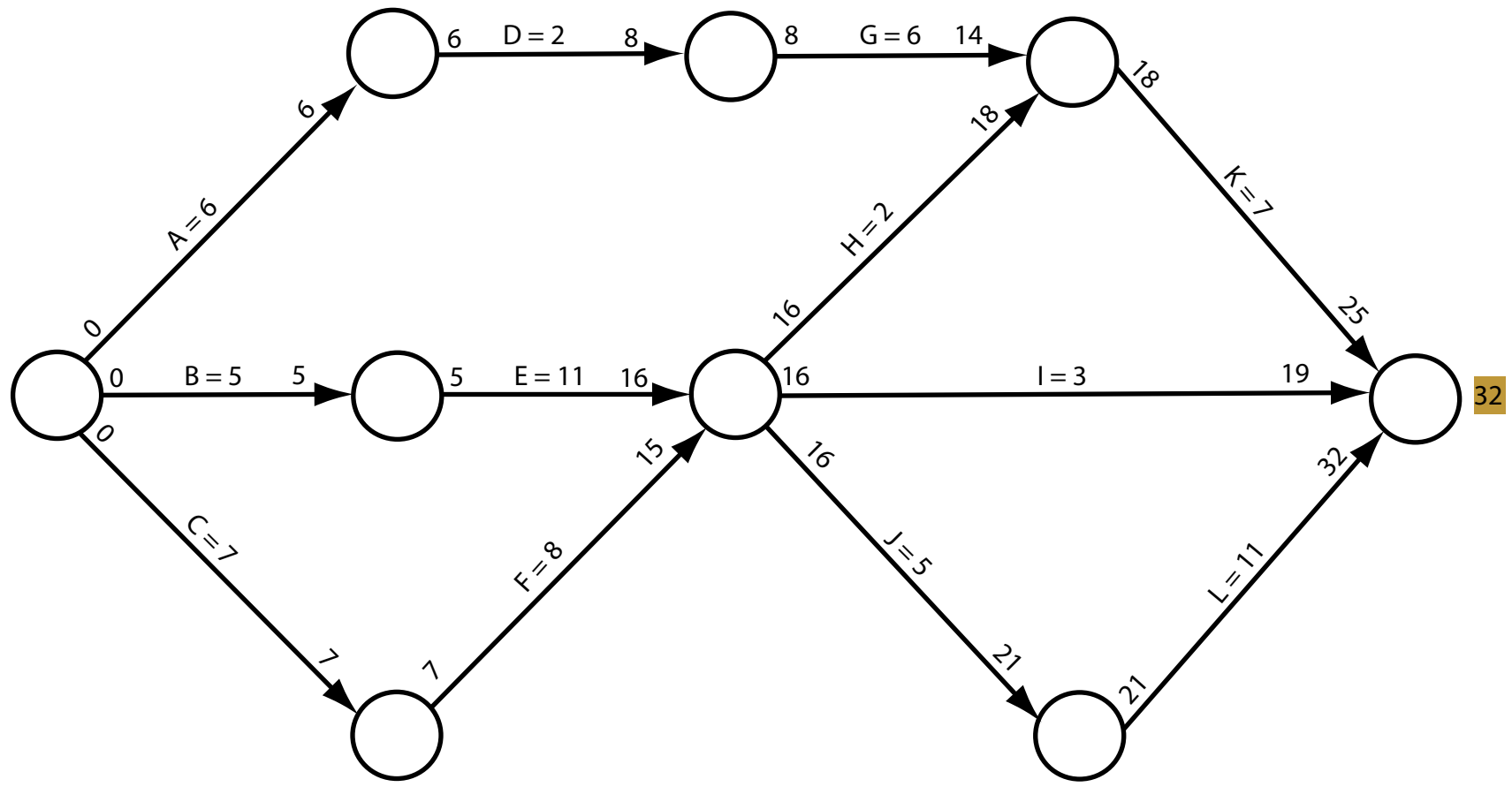
EXERCISE 1 - FORWARD PASS



EXERCISE 1 - FORWARD PASS

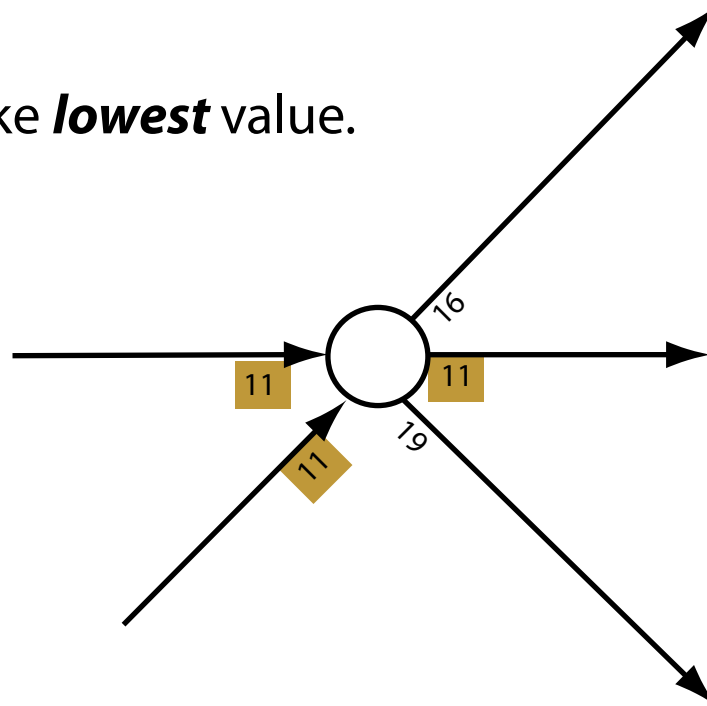


EXERCISE 1 - FORWARD PASS

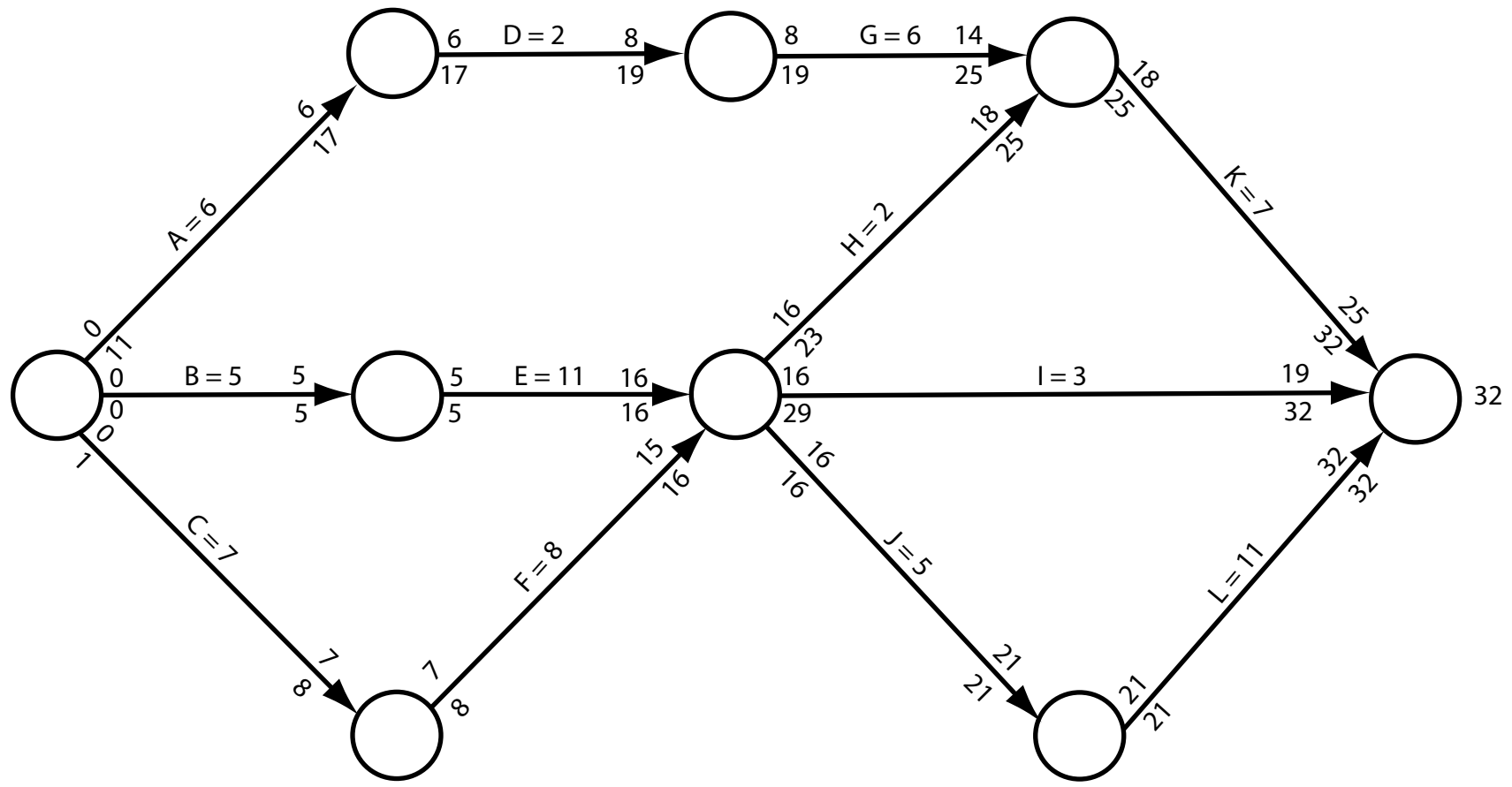


EXERCISE 1 - FORWARD PASS

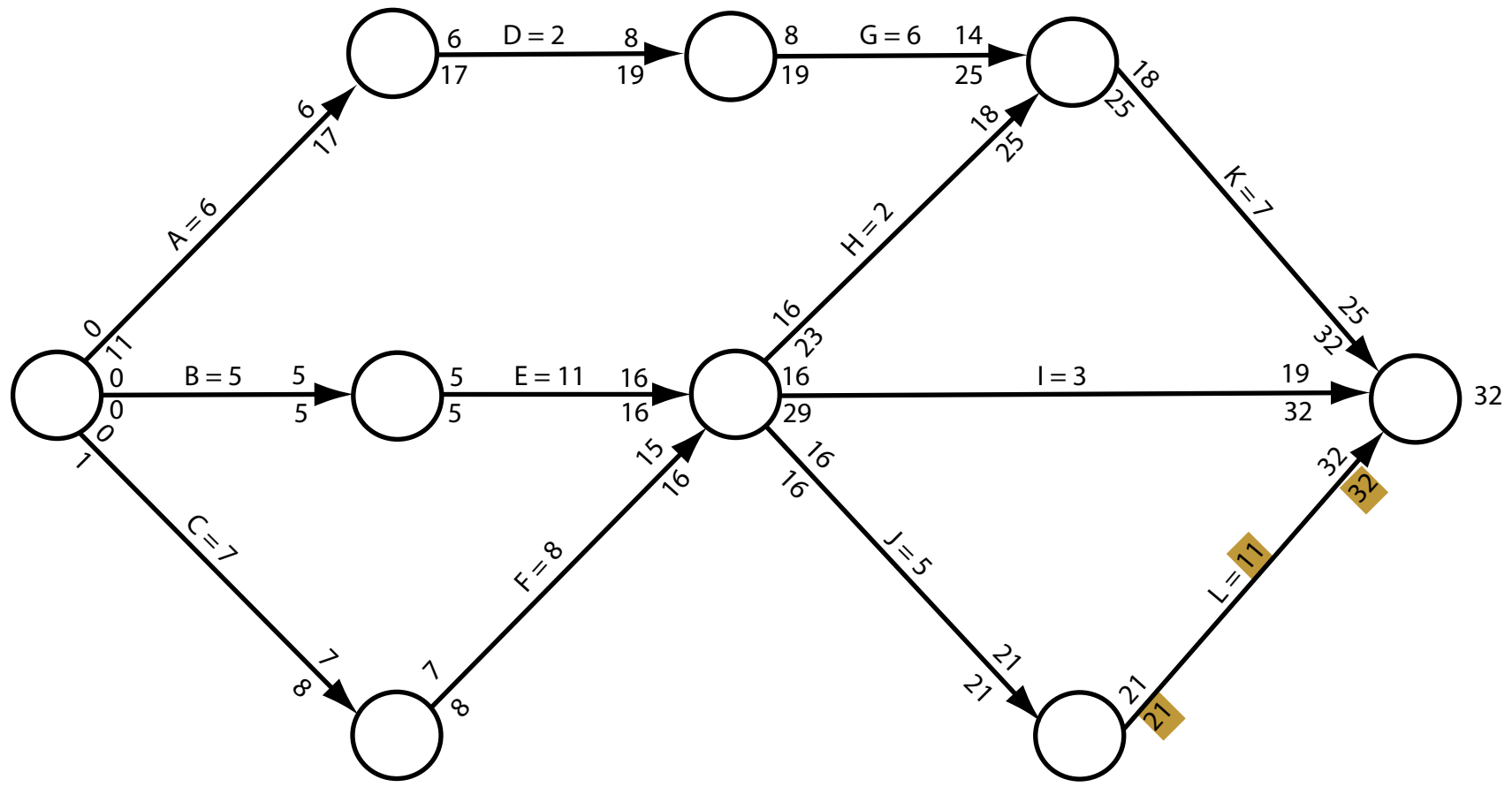
At junction, take **lowest** value.



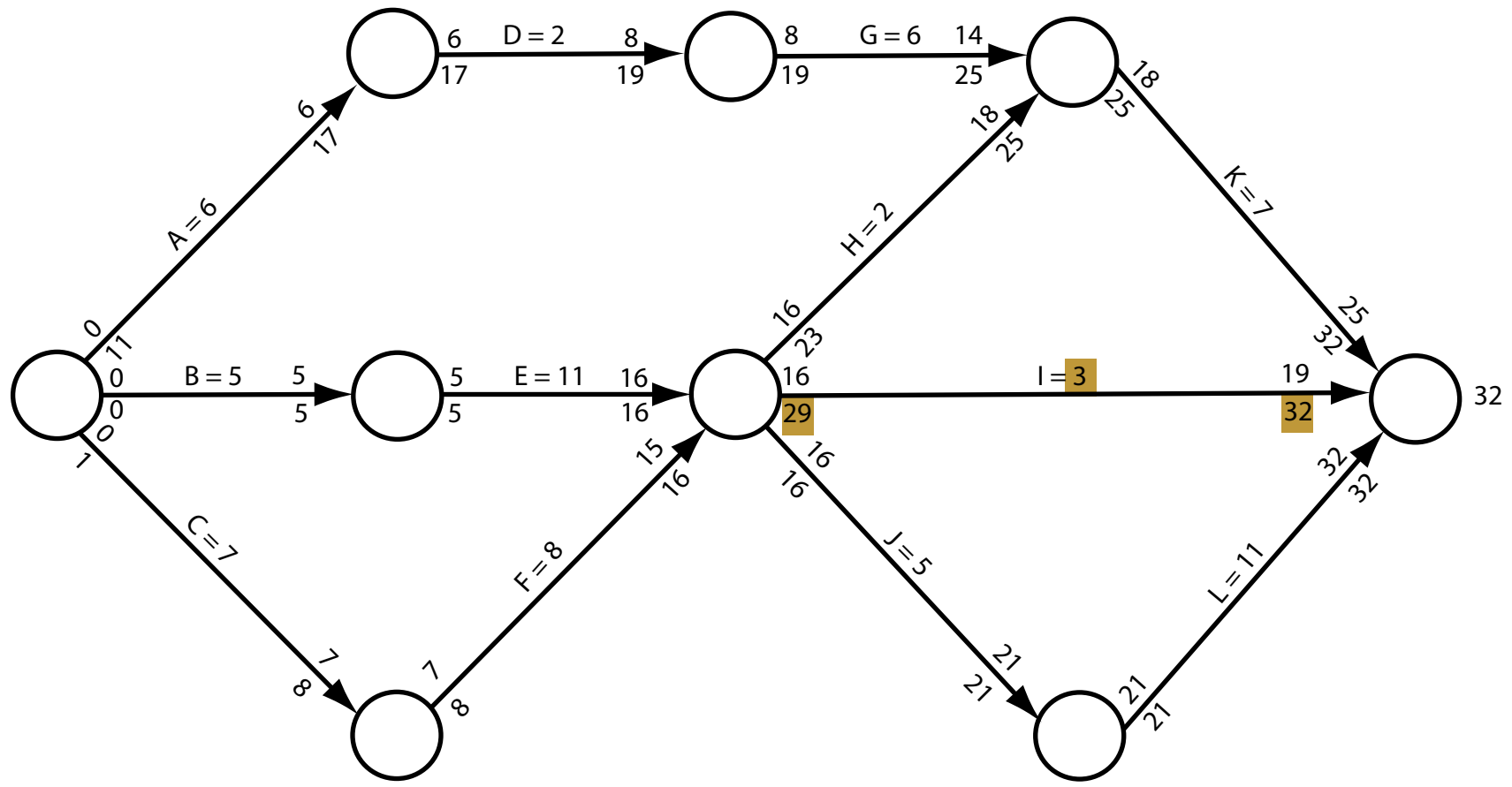
BACKWARD PASS (right to left)



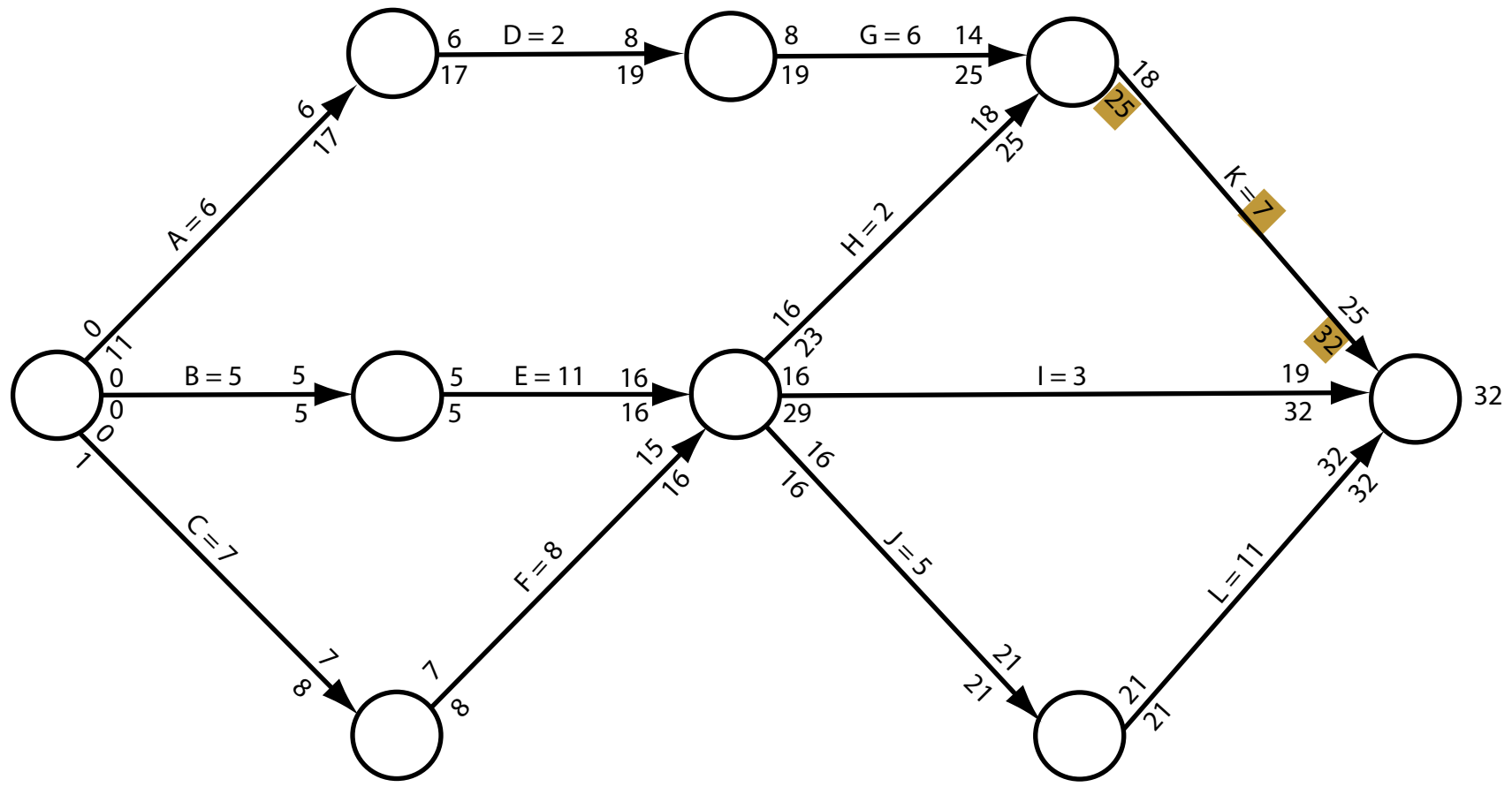
EXERCISE 1 - BACKWARD PASS



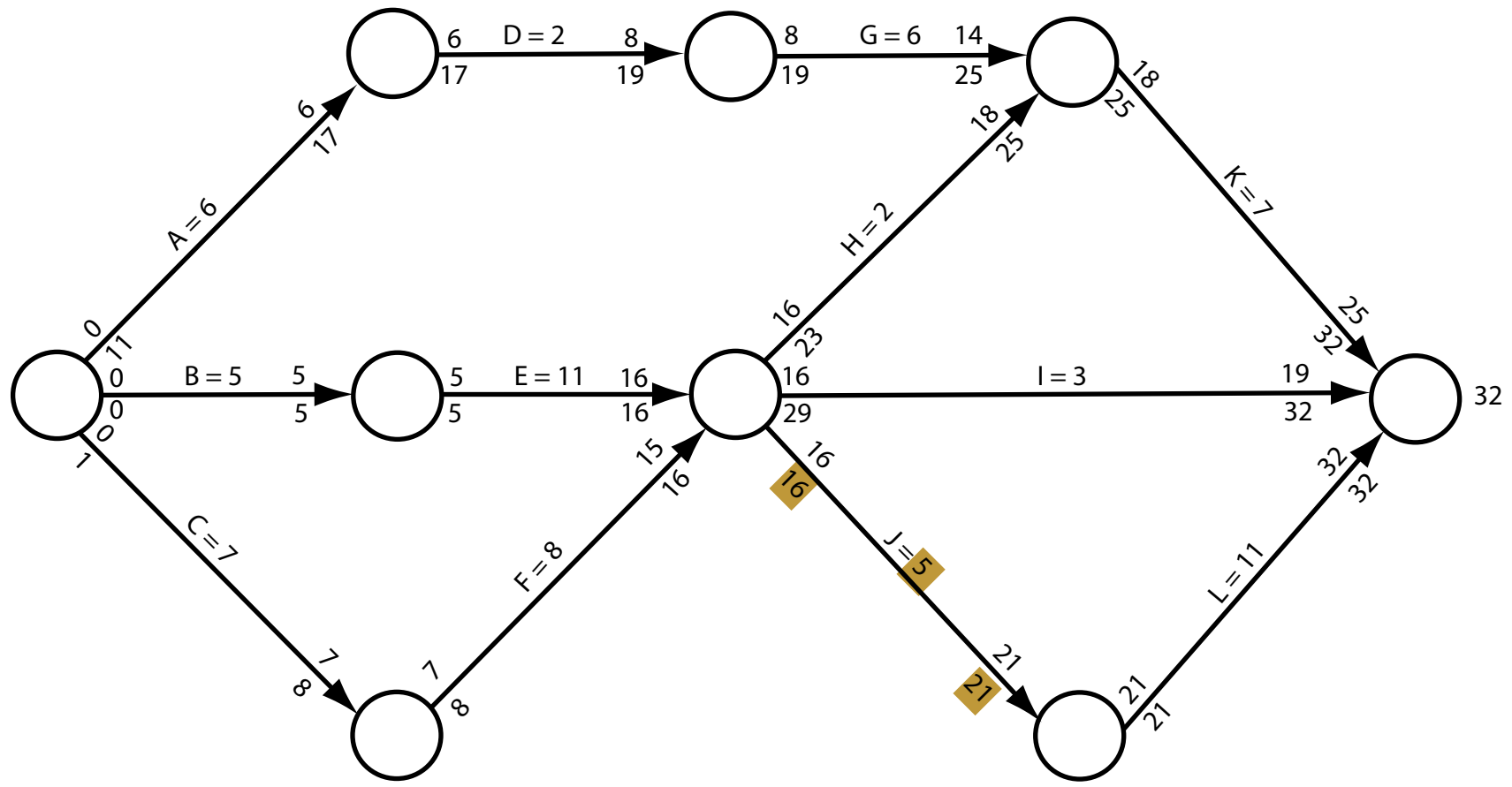
EXERCISE 1 - BACKWARD PASS



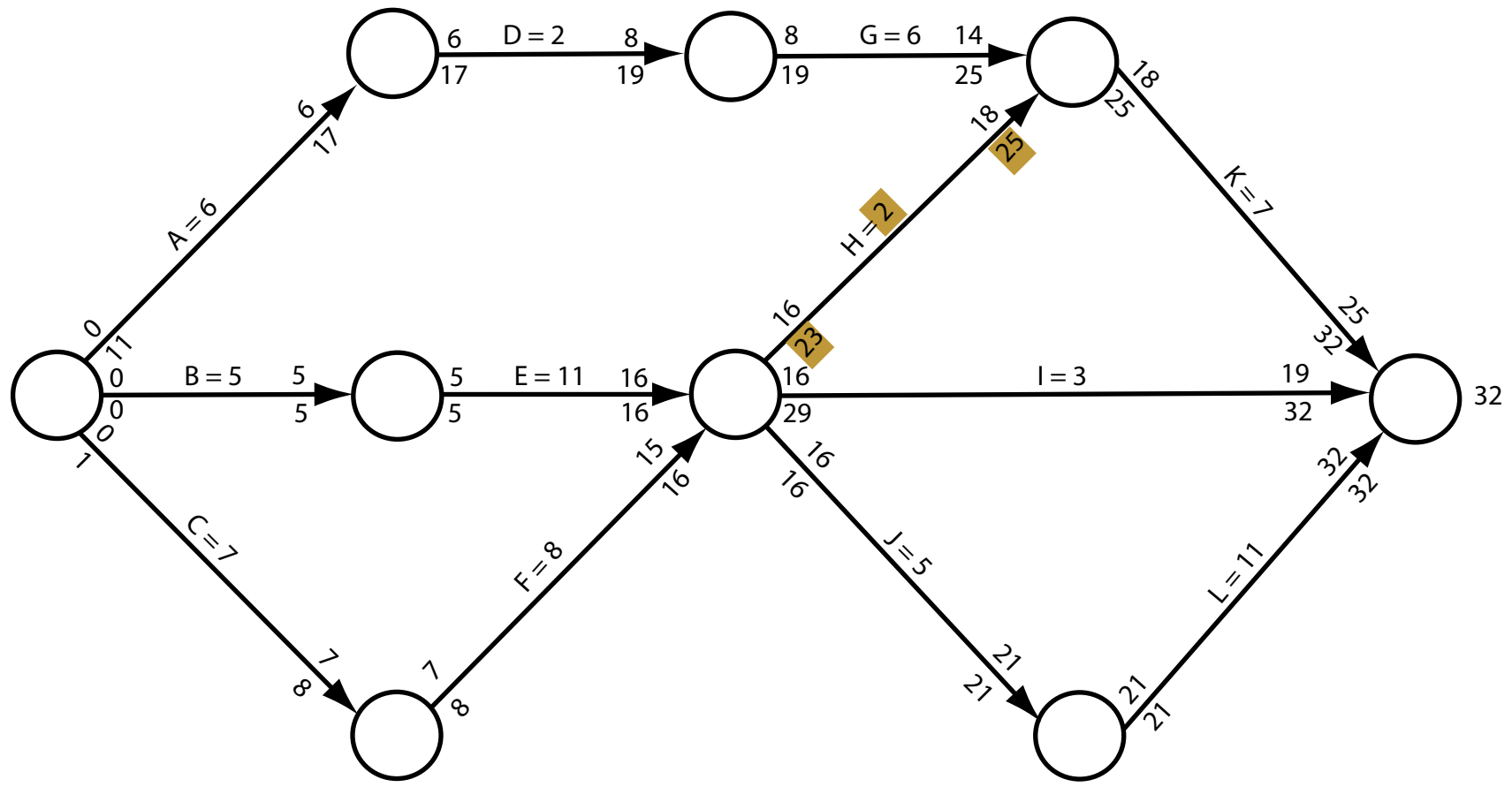
EXERCISE 1 - BACKWARD PASS



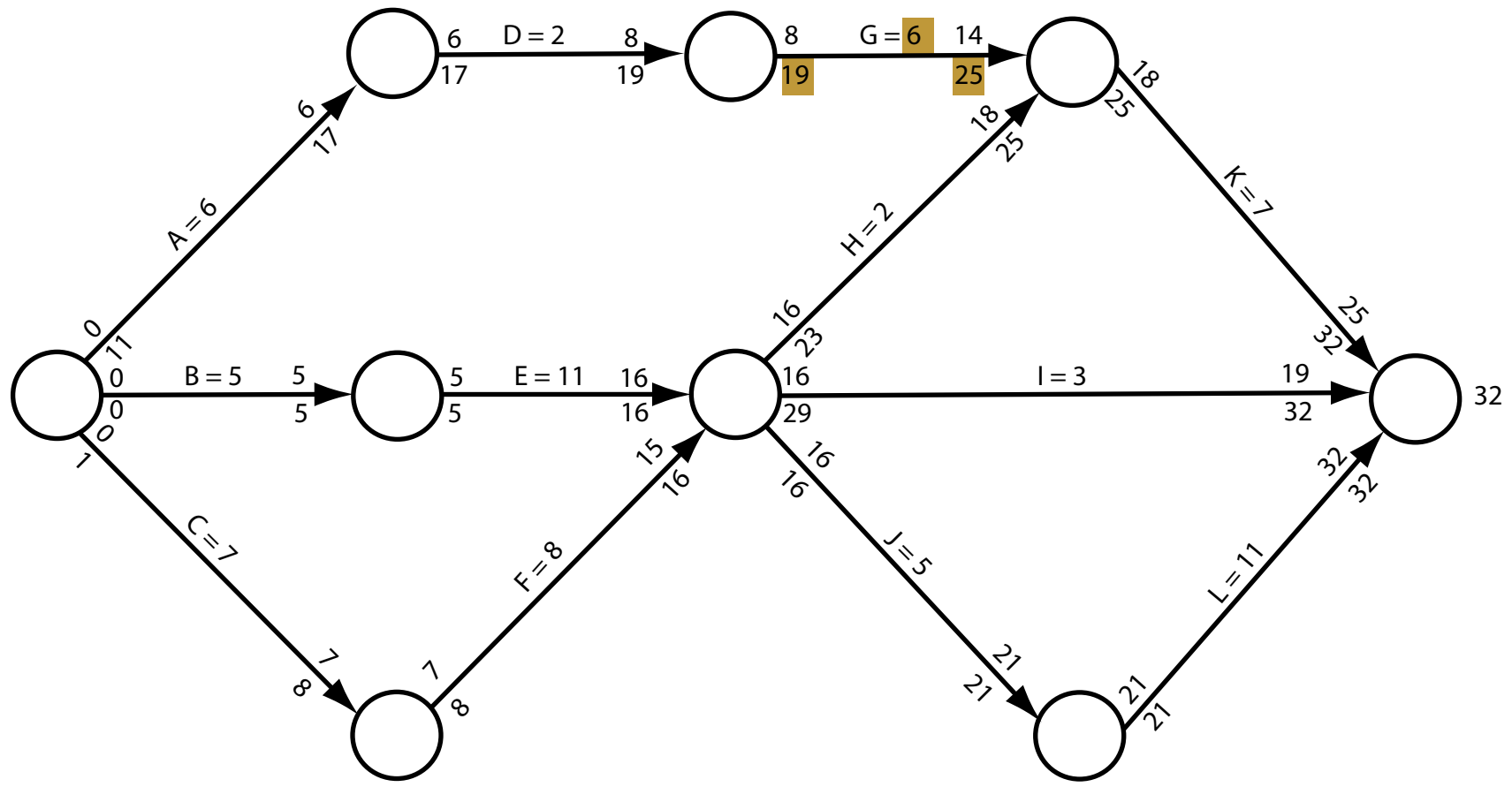
EXERCISE 1 - BACKWARD PASS



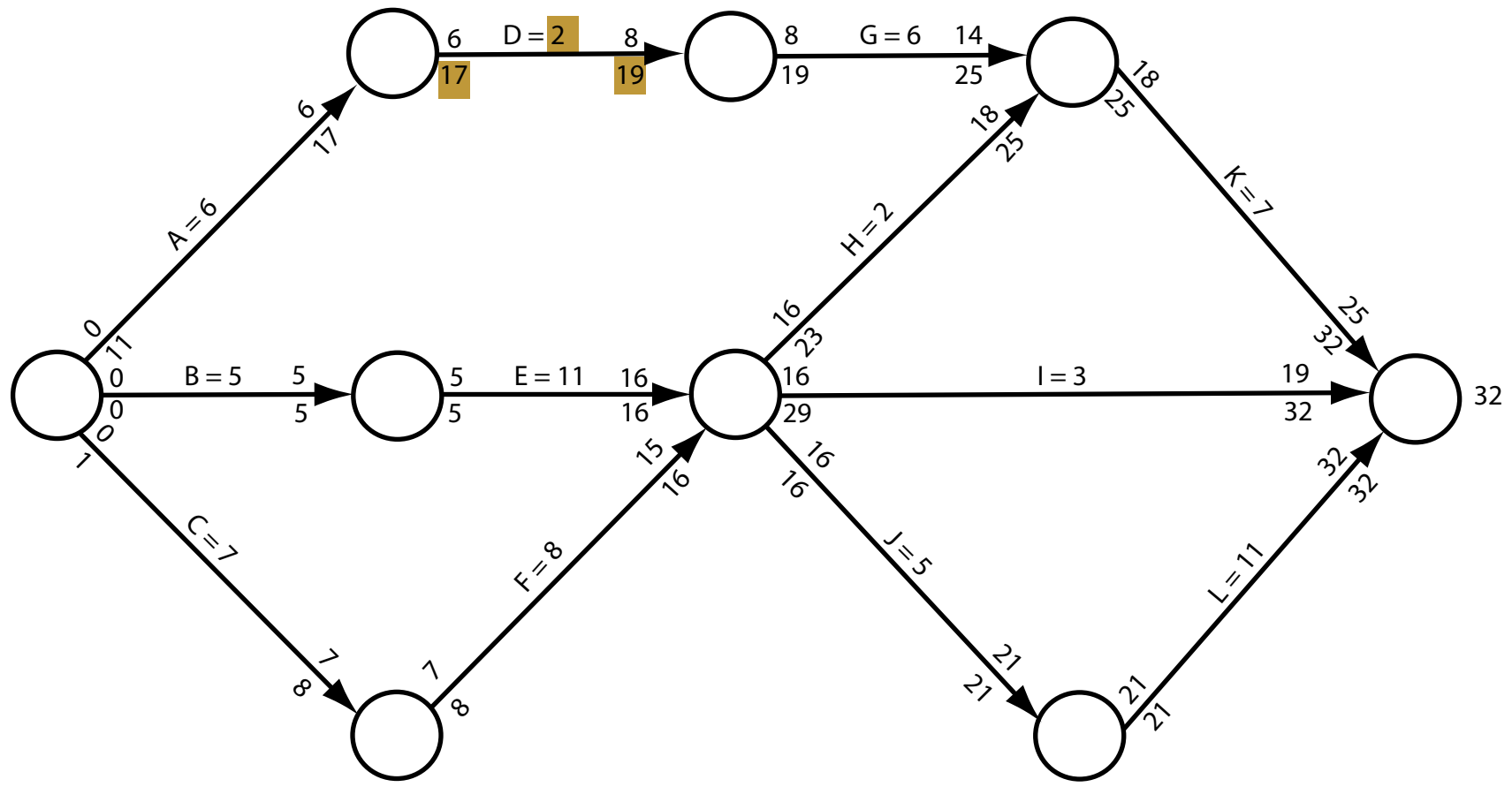
EXERCISE 1 - BACKWARD PASS



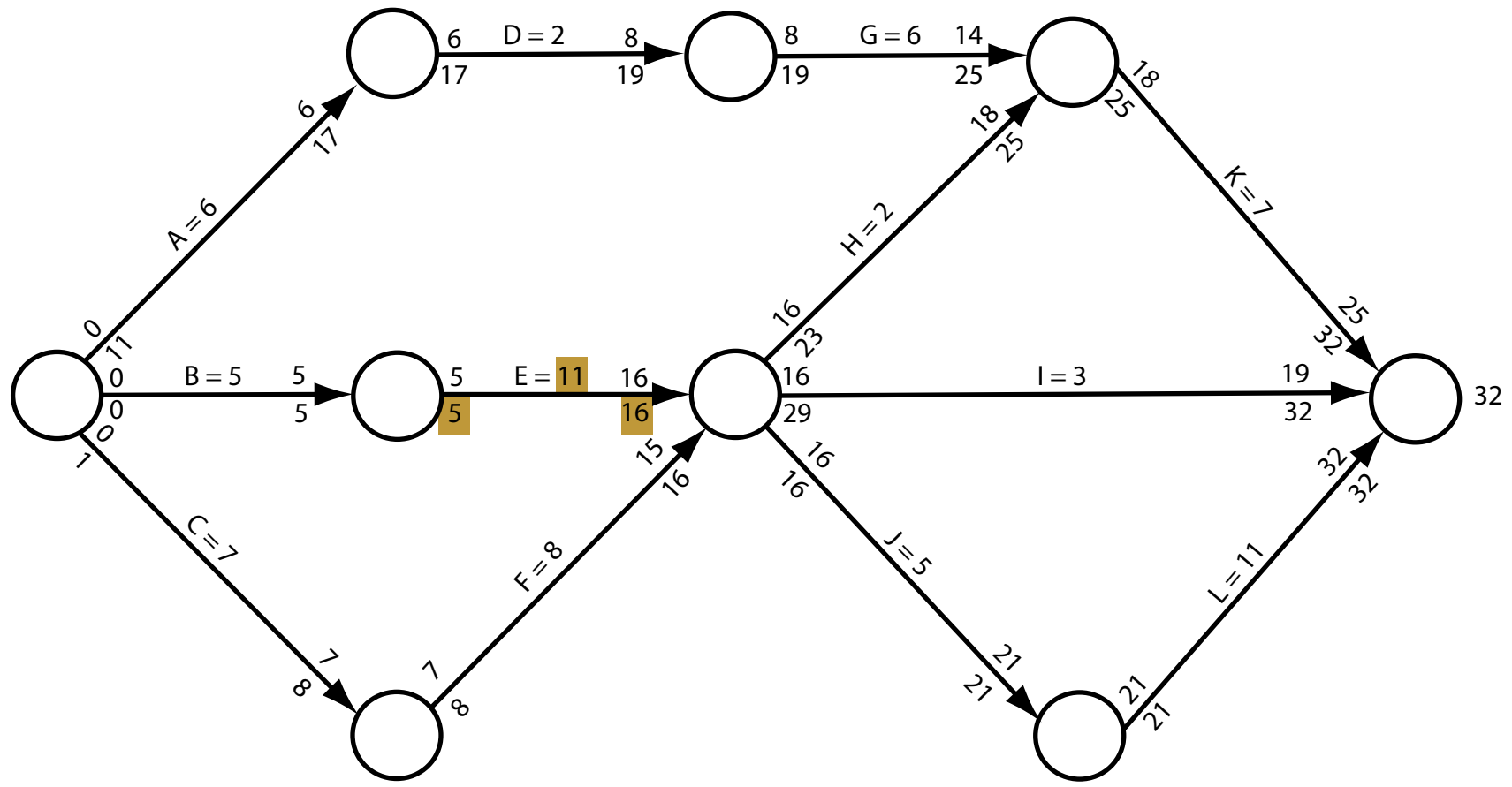
EXERCISE 1 - BACKWARD PASS



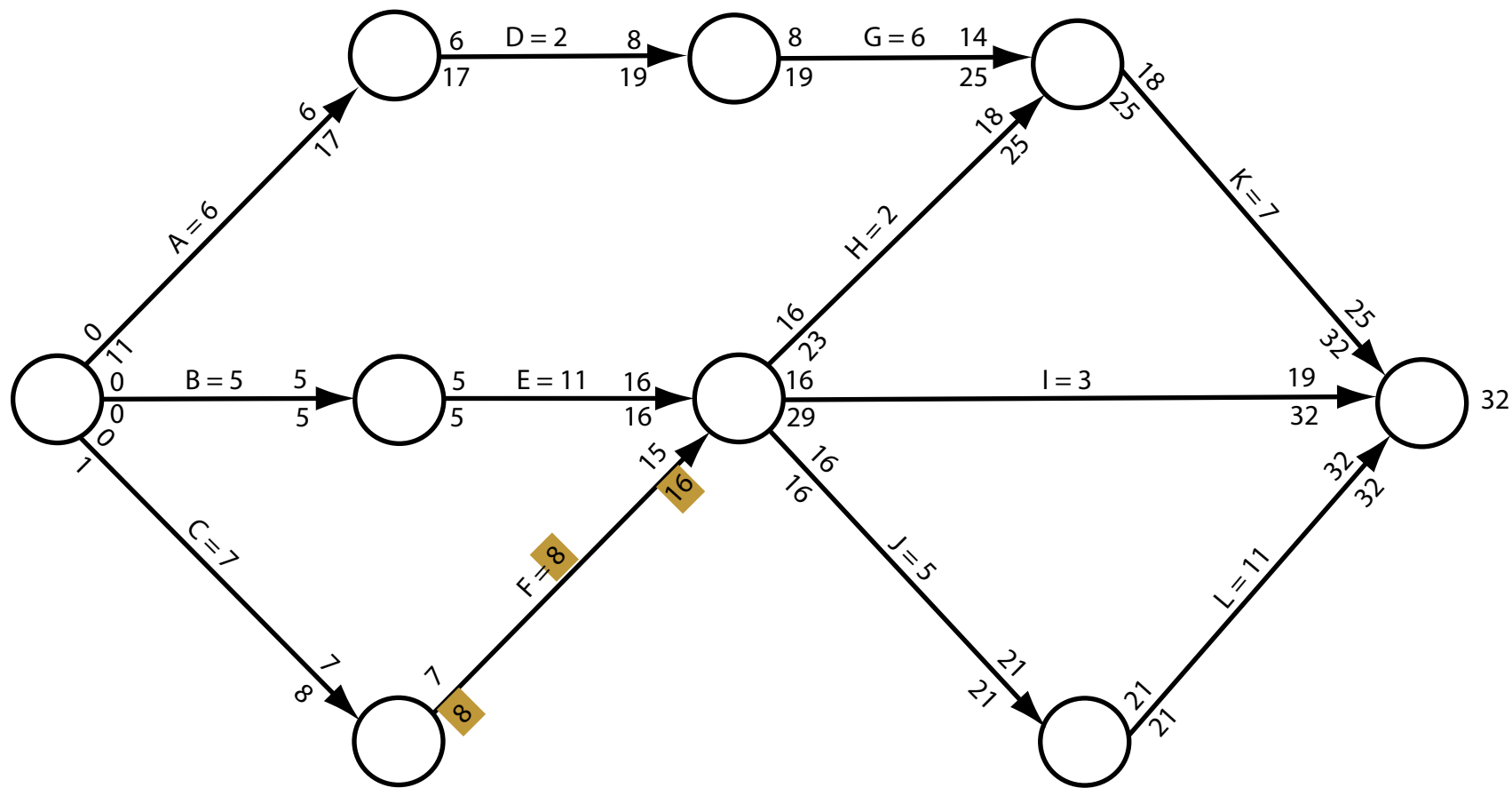
EXERCISE 1 - BACKWARD PASS



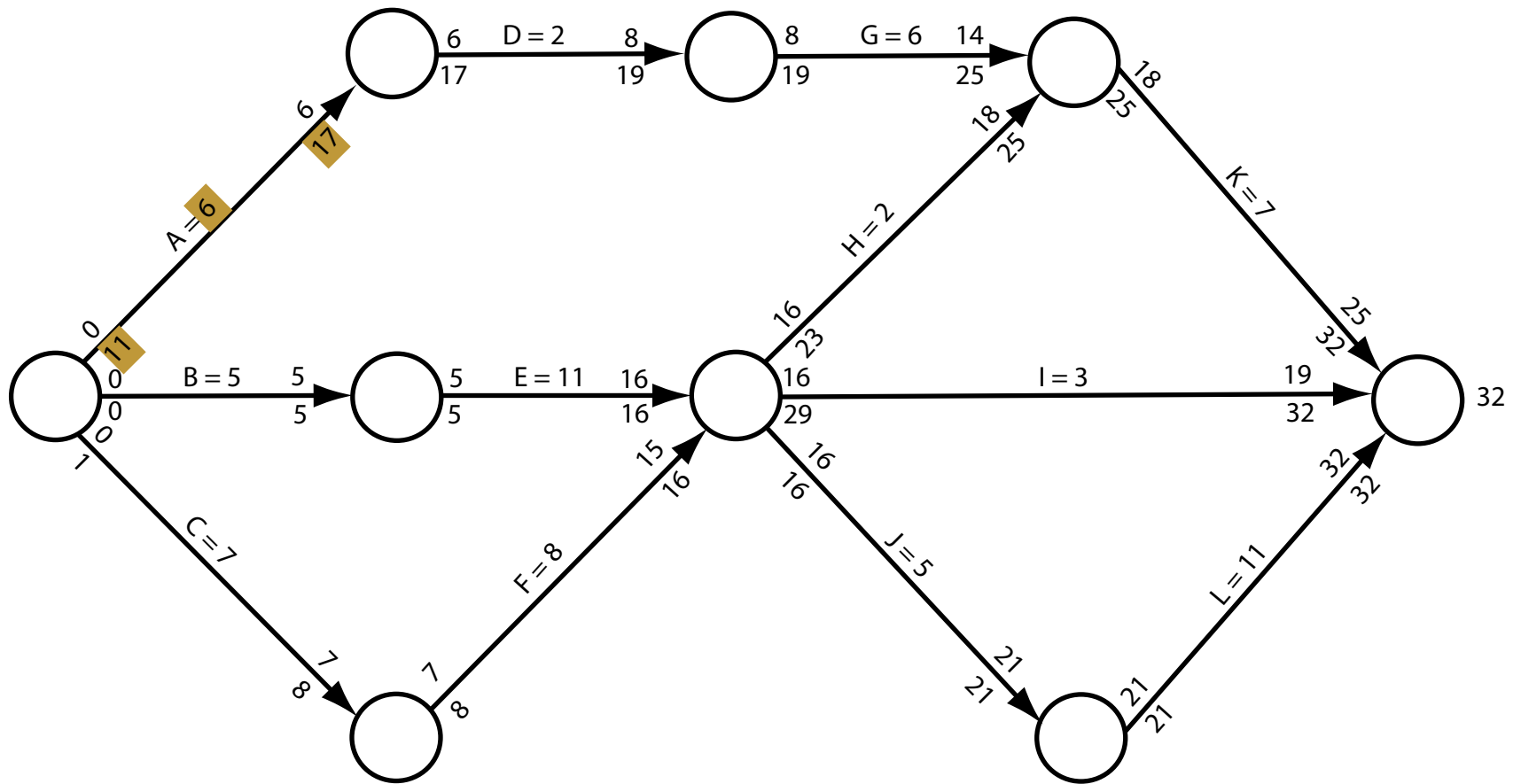
EXERCISE 1 - BACKWARD PASS



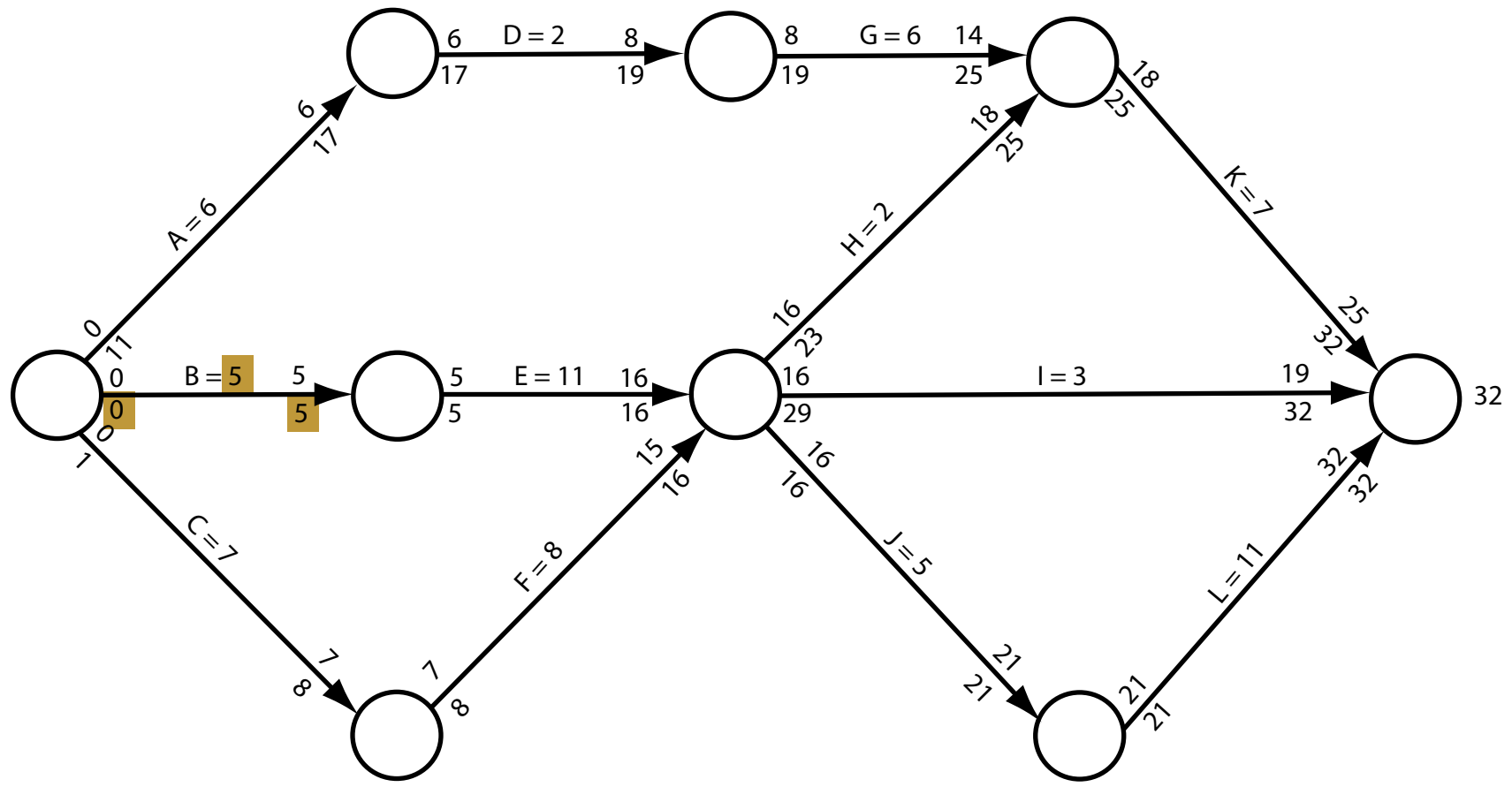
EXERCISE 1 - BACKWARD PASS



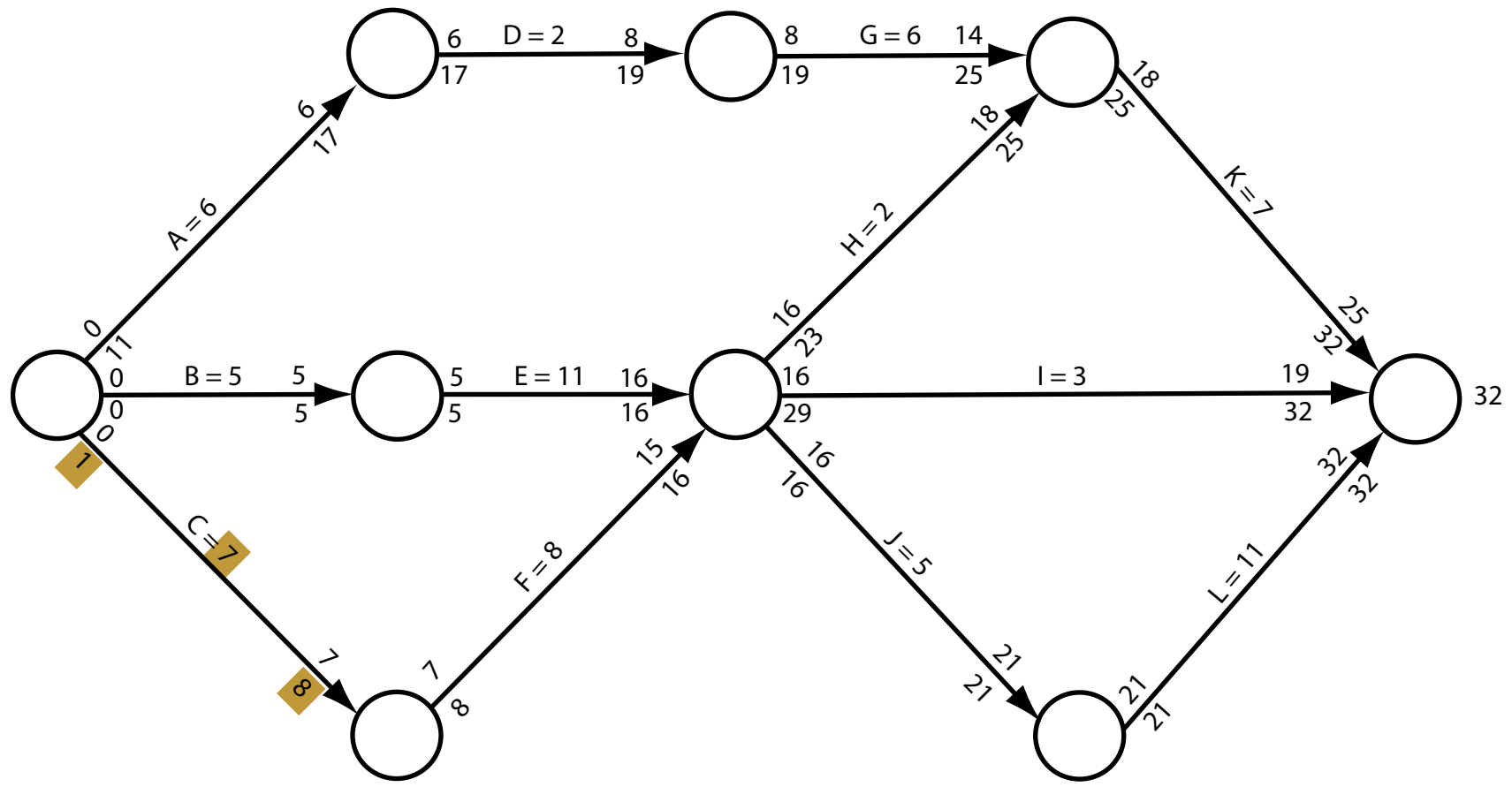
EXERCISE 1 - BACKWARD PASS



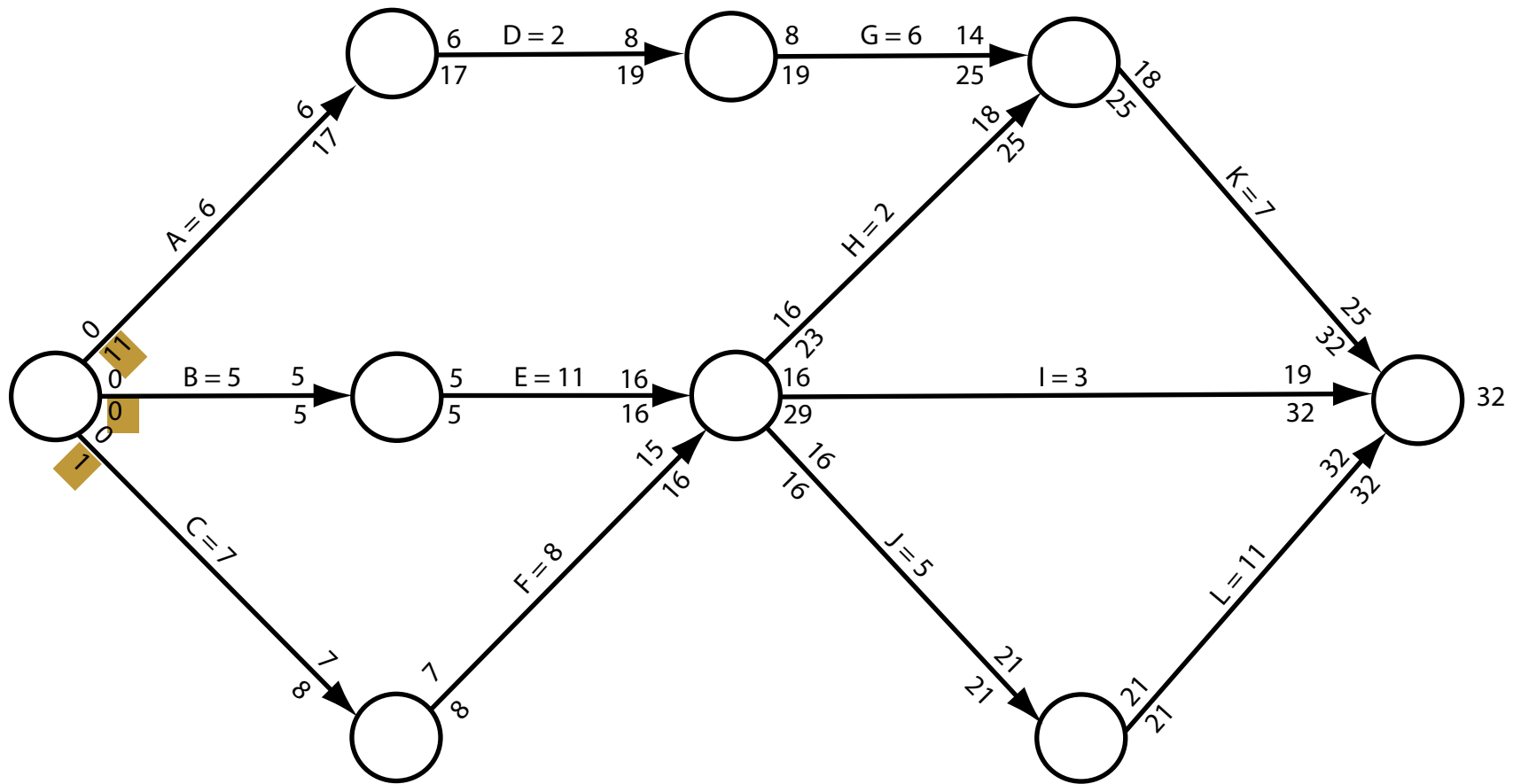
EXERCISE 1 - BACKWARD PASS



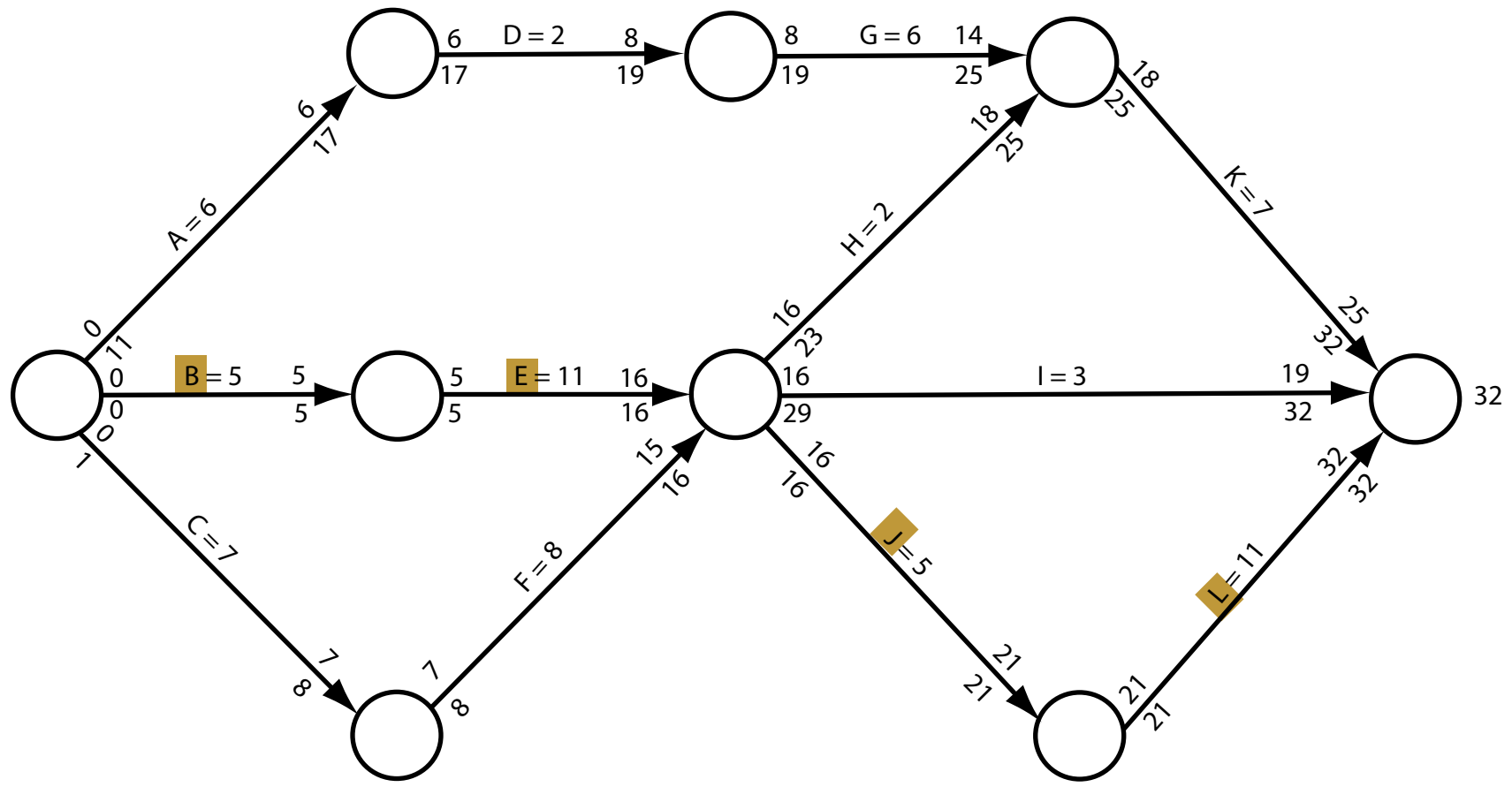
EXERCISE 1 - BACKWARD PASS



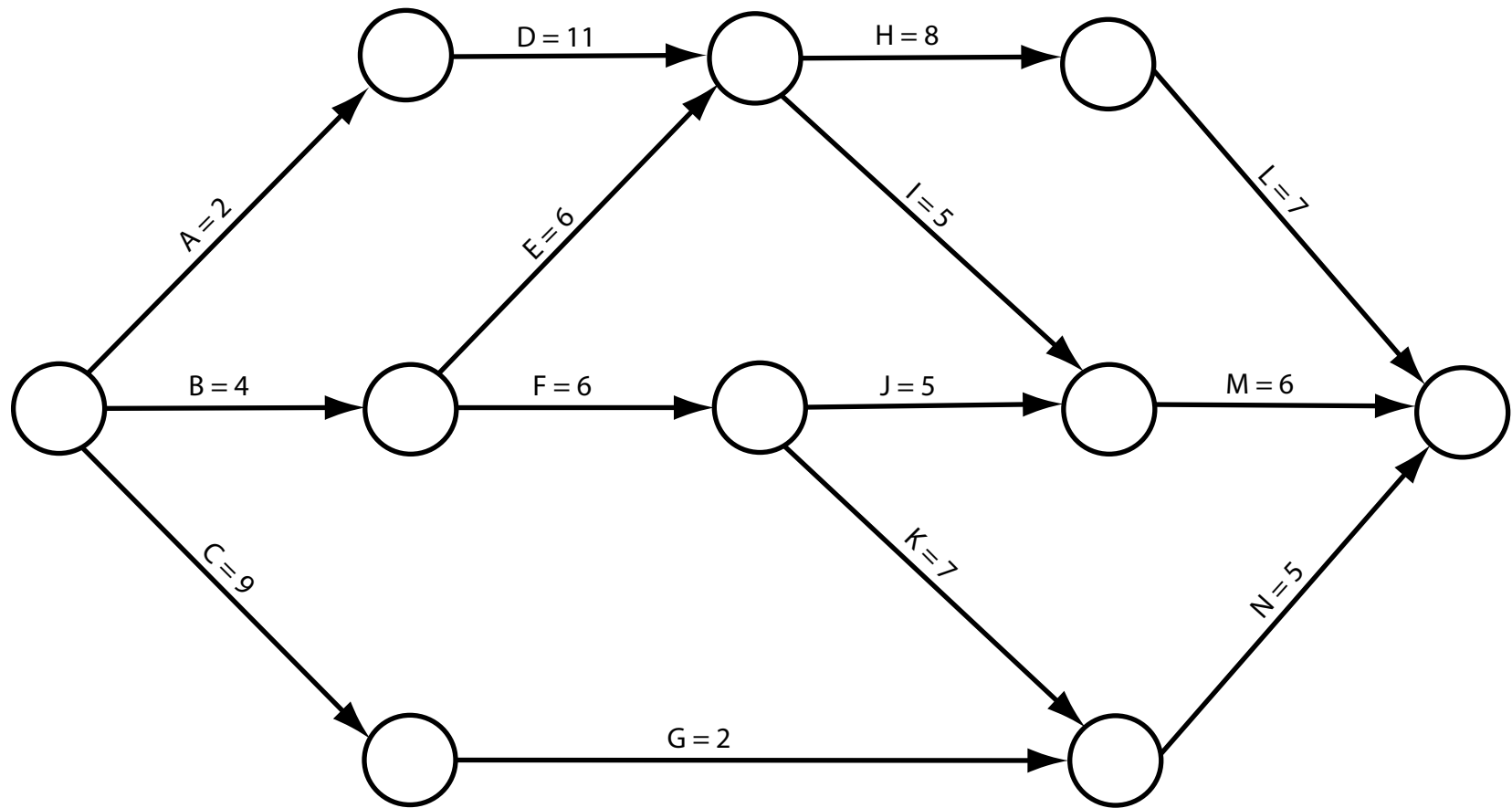
EXERCISE 1 - BACKWARD PASS



EXERCISE 1 - SLACK



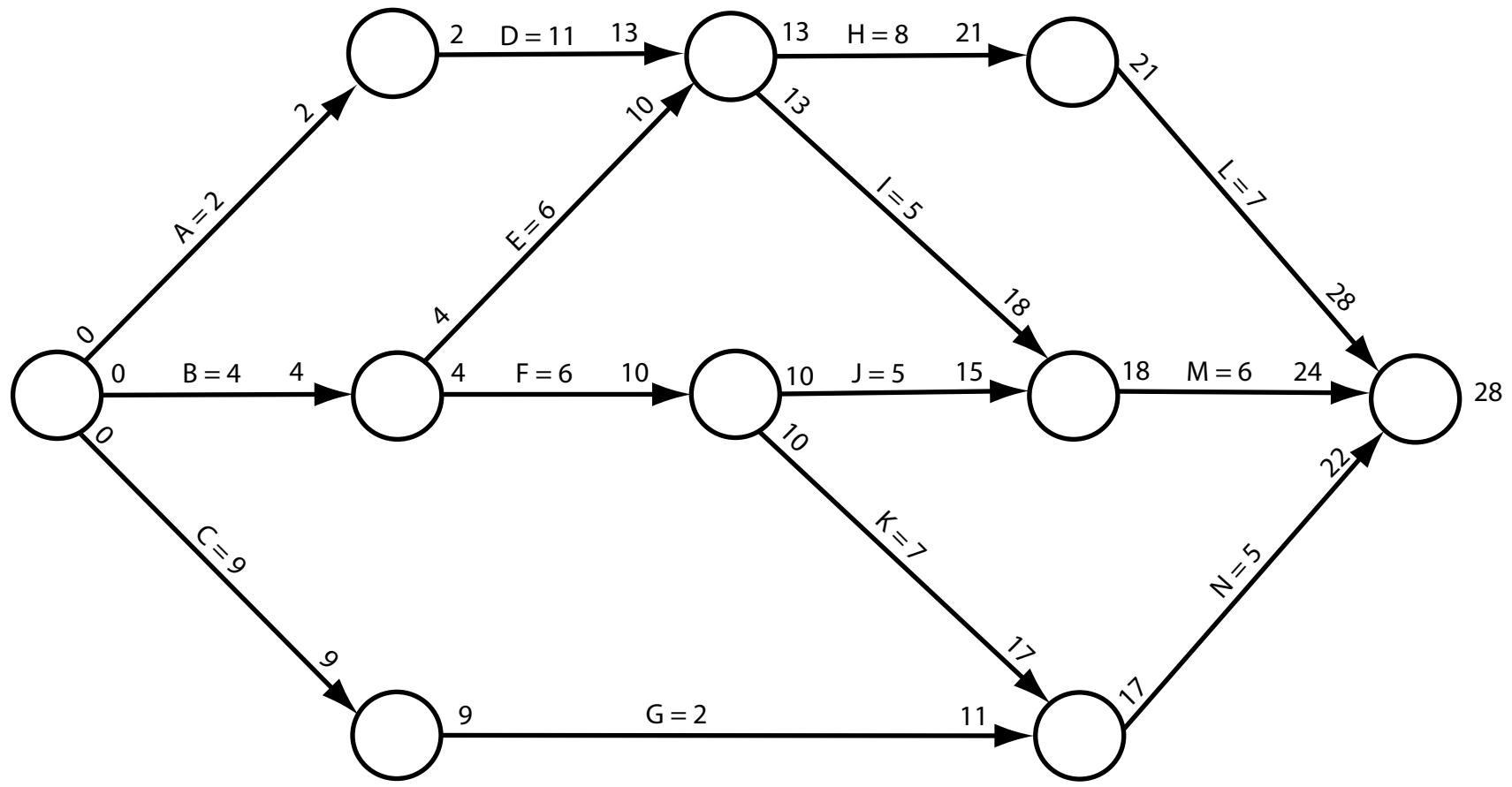
EXERCISE 1 - CRITICAL PATH



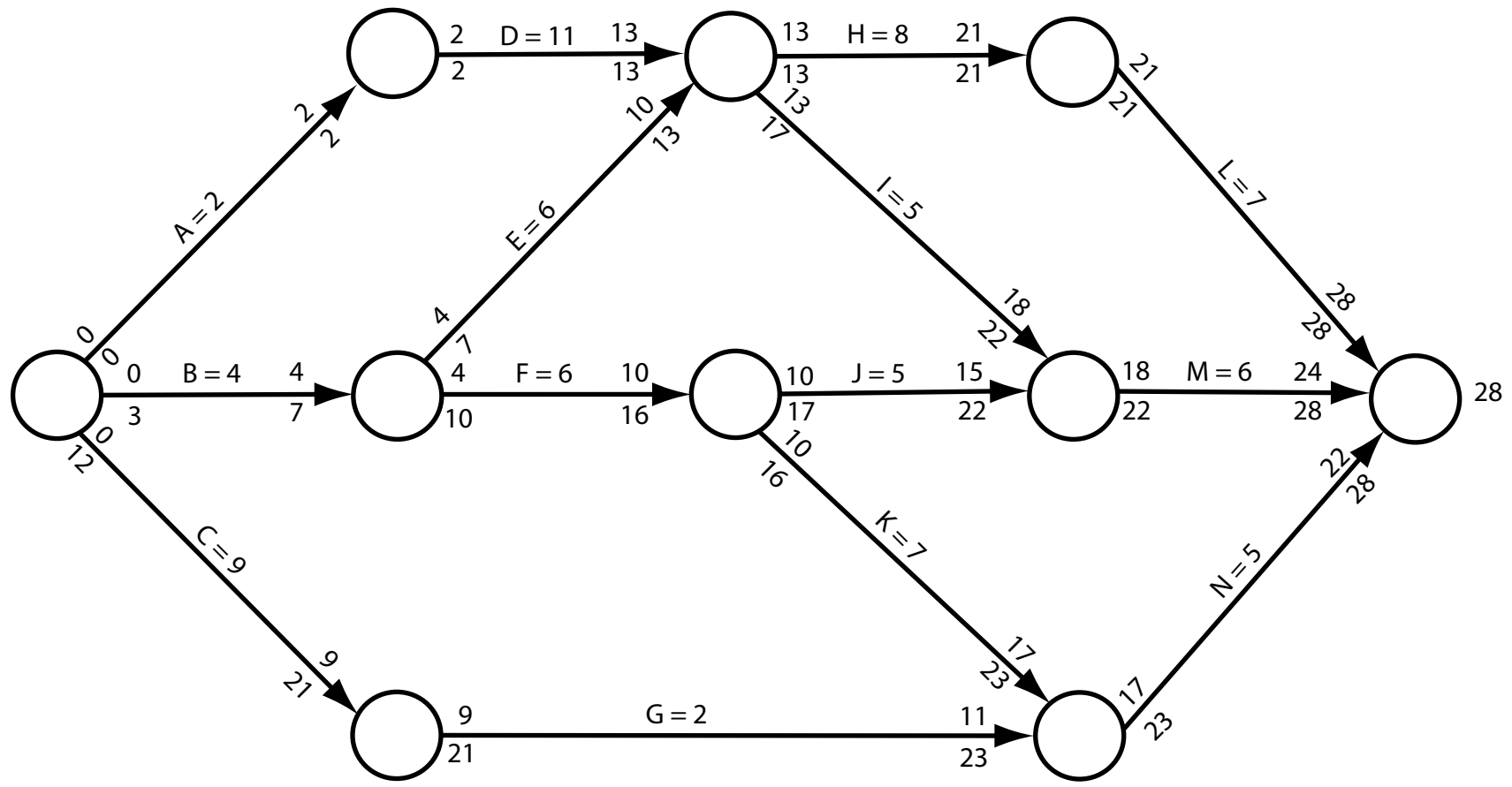
EXERCISE 2

Spoiler Warning

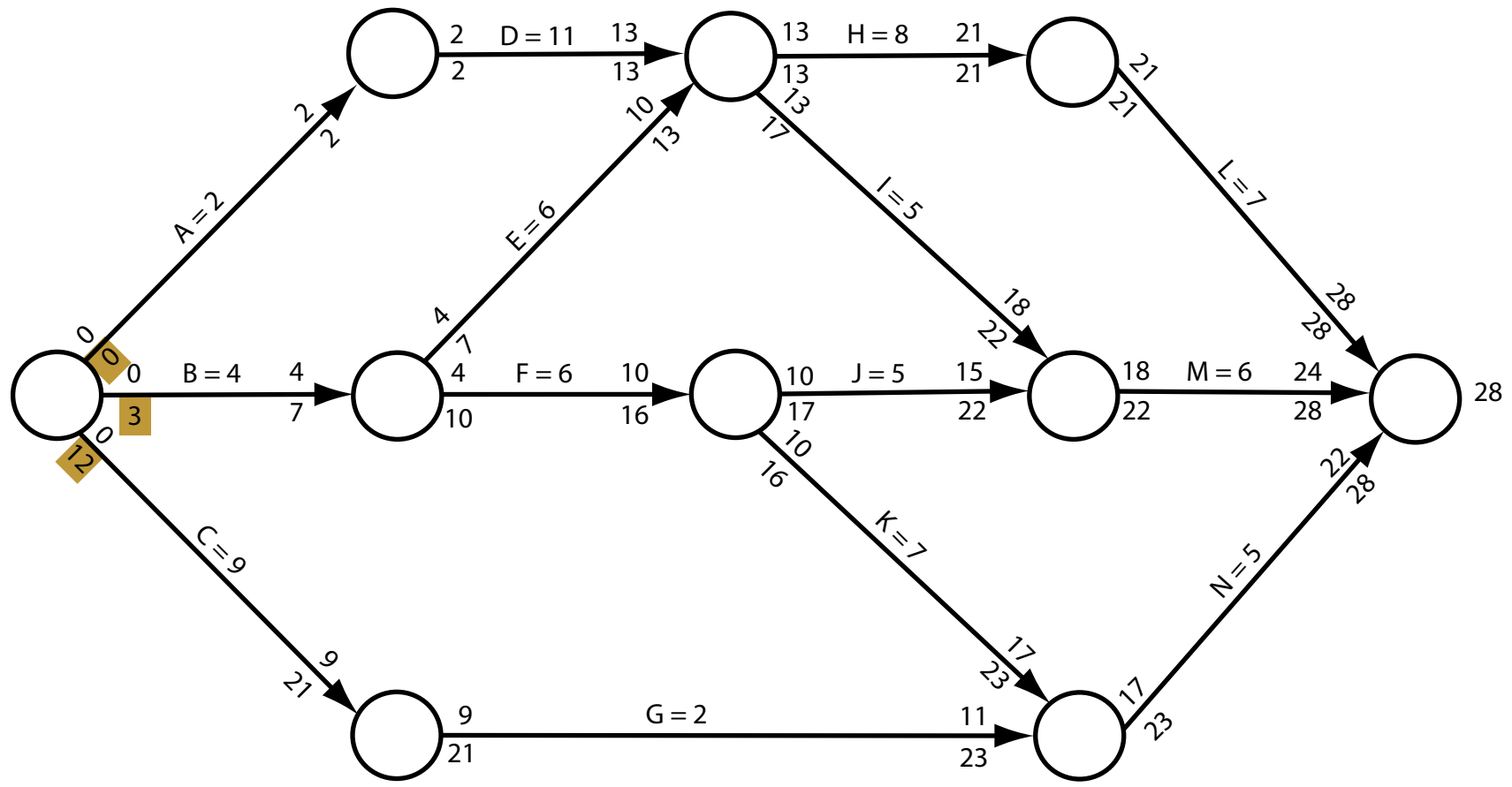
Solution to Exercise 2 Follows



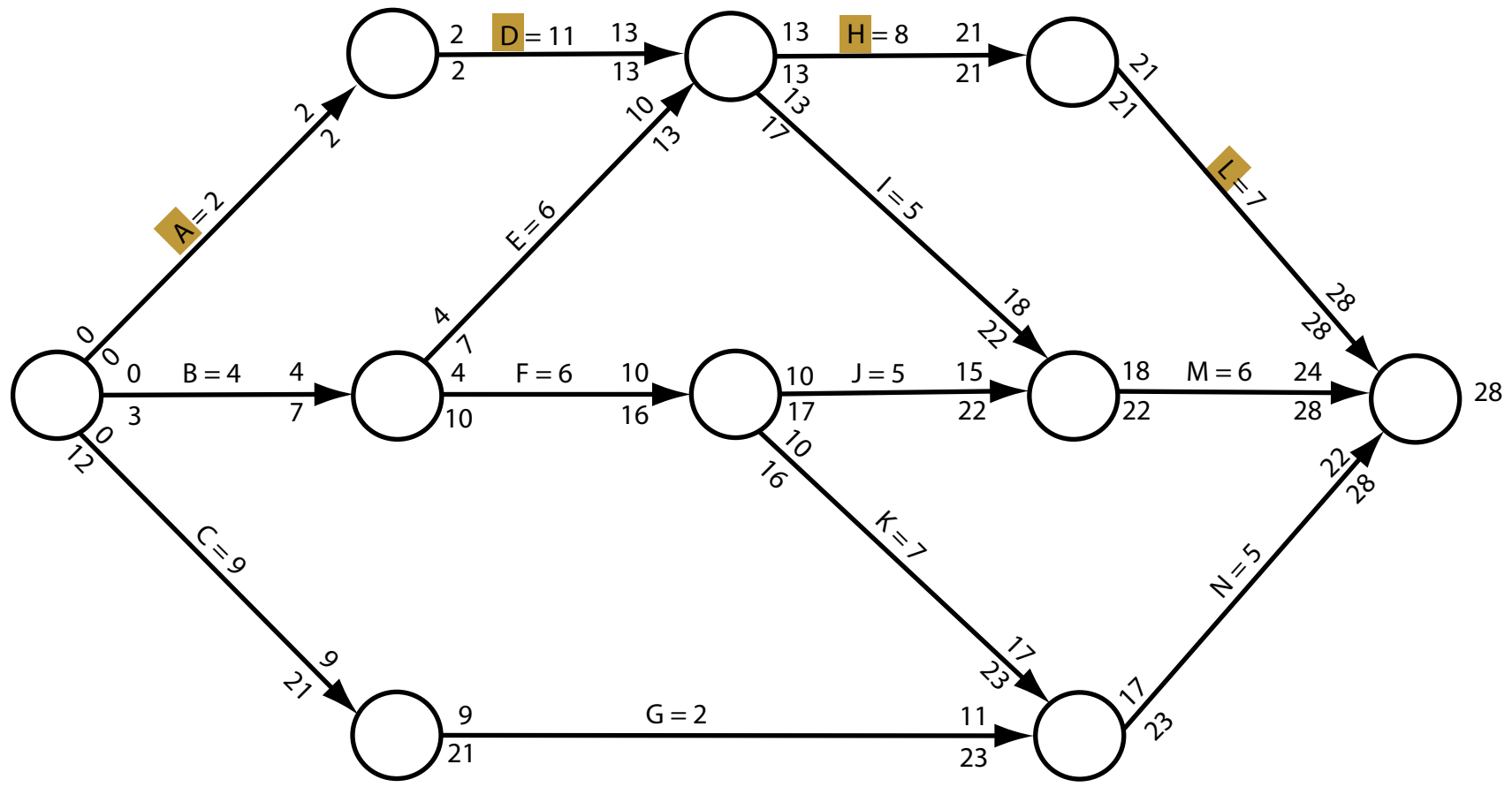
EXERCISE 2 - FORWARD PASS



EXERCISE 2 - BACKWARD PASS



EXERCISE 2 - Slack



EXERCISE 2 - Critical Path