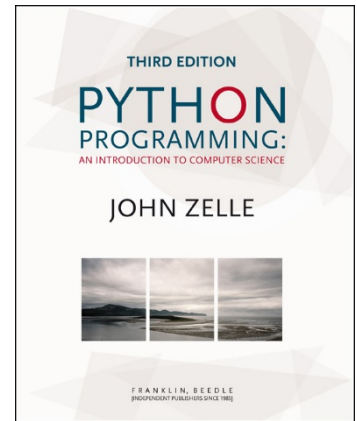


# Python Programming: An Introduction to Computer Science



## Chapter 1 Computers and Programs



# Objectives

---

- To understand the respective roles of hardware and software in a computing system.
- To learn what computer scientists study and the techniques that they use.
- To understand the basic design of a modern computer.



## Objectives (cont.)

---

- To understand the form and function of computer programming languages.
- To begin using the Python programming language.
- To learn about chaotic models and their implications for computing.



# The Universal Machine

---

- A modern computer can be defined as “a machine that stores and manipulates information under the control of a changeable program.”
- Two key elements:
  - Computers are devices for manipulating information.
  - Computers operate under the control of a changeable program.



# The Universal Machine

---

- What is a *computer program*?
  - A detailed, step-by-step set of instructions telling a computer what to do.
  - If we change the program, the computer performs a different set of actions or a different task.
  - The machine stays the same, but the program changes!



# The Universal Machine

---

- Programs are *executed*, or carried out.
- All computers have the same power, with suitable programming, i.e. each computer can do the things any other computer can do.



# Program Power

---

- *Software* (programs) rule the *hardware* (the physical machine).
- The process of creating this software is called *programming*.
- Why learn to program?
  - Fundamental part of computer science
  - Having an understanding of programming helps you have an understanding of the strengths and limitations of computers.



# Program Power

---

- Helps you become a more intelligent user of computers
- It can be fun!
- Form of expression
- Helps the development of problem solving skills, especially in analyzing complex systems by reducing them to interactions between simpler systems.
- Programmers are in great demand!





# What is Computer Science?

---

- It is not the study of computers!  
“Computers are to computer science what telescopes are to astronomy.” – E. Dijkstra
- The question becomes, “What processes can be described?”
- This question is really, “What can be computed?”



# What is Computer Science?

---

- Design

- One way to show a particular problem can be solved is to actually design a solution.
- This is done by developing an *algorithm*, a step-by-step process for achieving the desired result.
- One problem – it can only answer in the positive. You can't prove a negative!



# What is Computer Science?

---

- Analysis

- Analysis is the process of examining algorithms and problems mathematically.
- Some seemingly simple problems are not solvable by any algorithm. These problems are said to be *unsolvable*.
- Problems can be intractable if they would take too long or take too much memory to be of practical value.

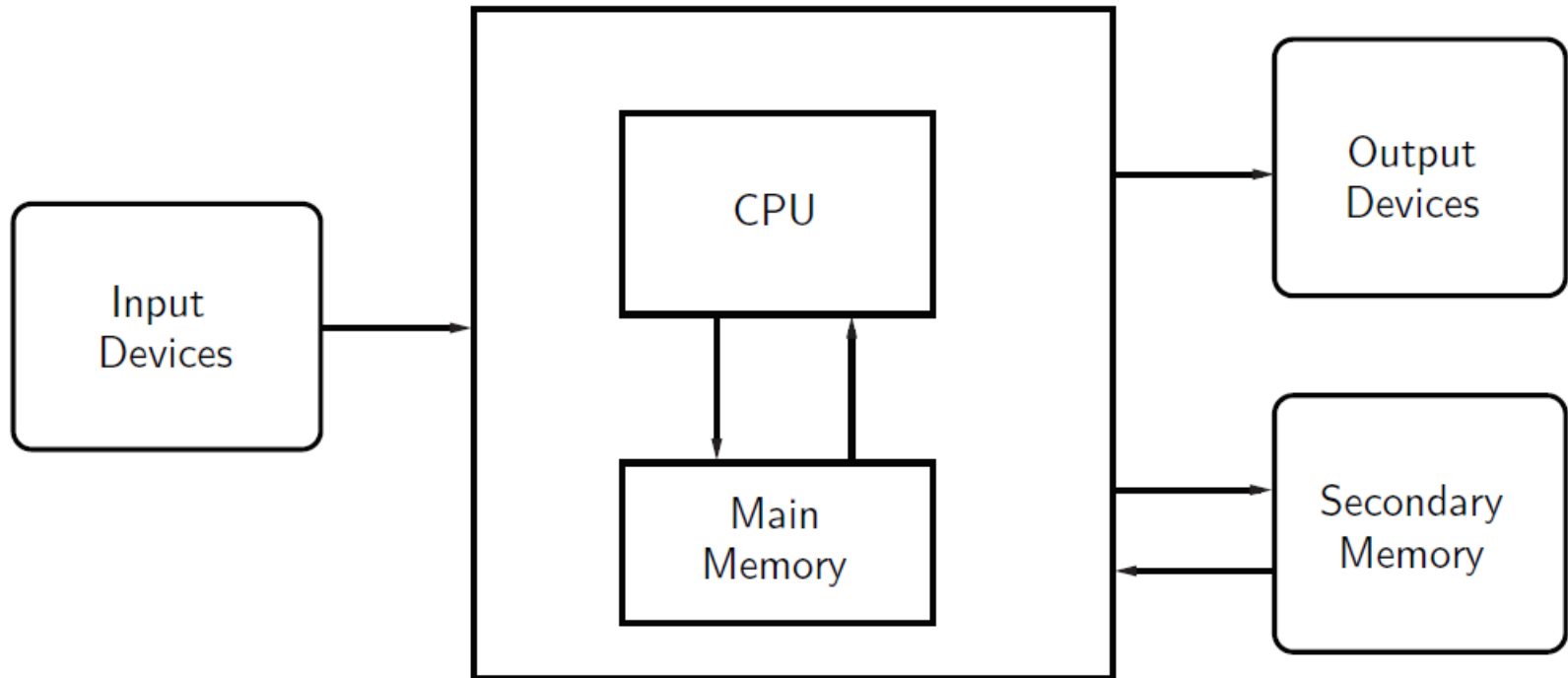


# What is Computer Science?

---

- Experimentation
  - Some problems are too complex for analysis.
  - Implement a system and then study its behavior.

# Hardware Basics





# Hardware Basics

---

- The *central processing unit* (CPU) is the “brain” of a computer.
  - The CPU carries out all the basic operations on the data.
  - Examples: simple arithmetic operations, testing to see if two numbers are equal.



# Hardware Basics

---

- Memory stores programs and data.
  - CPU can only directly access information stored in *main memory* (RAM or Random Access Memory).
  - Main memory is fast, but *volatile*, i.e. when the power is interrupted, the contents of memory are lost.
  - Secondary memory provides more permanent storage: magnetic (hard drive), flash (SSD, USB memory), optical (CD, DVD)



# Hardware Basics

---

- Input devices
  - Information is passed to the computer through keyboards, mice, etc.
- Output devices
  - Processed information is presented to the user through the monitor, printer, etc.





# Hardware Basics

---

- *Fetch-Execute Cycle*
  - First instruction retrieved from memory
  - Decode the instruction to see what it represents
  - Appropriate action carried out.
  - Next instruction fetched, decoded, and executed.
  - Lather, rinse, repeat!



# Programming Languages

---

- Natural language has ambiguity and imprecision problems when used to describe complex algorithms.
  - Programs expressed in an unambiguous, precise way using *programming languages*.
  - Every structure in programming language has a precise form, called its *syntax*
  - Every structure in programming language has a precise meaning, called its *semantics*.



# Programming Languages

---

- Programming language like a code for writing the instructions the computer will follow.
  - Programmers will often refer to their program as *computer code*.
  - Process of writing an algorithm in a programming language often called *coding*.



# Programming Languages

---

- *High-level* computer languages
  - Designed to be used and understood by humans
- Low-level language
  - Computer hardware can only understand a very low level language known as *machine language*



# Programming Languages

---

- Add two numbers:
  - Load the number from memory location 2001 into the CPU
  - Load the number from memory location 2002 into the CPU
  - Add the two numbers in the CPU
  - Store the result into location 2003
- In reality, these low-level instructions are represented in *binary* (1's and 0's)

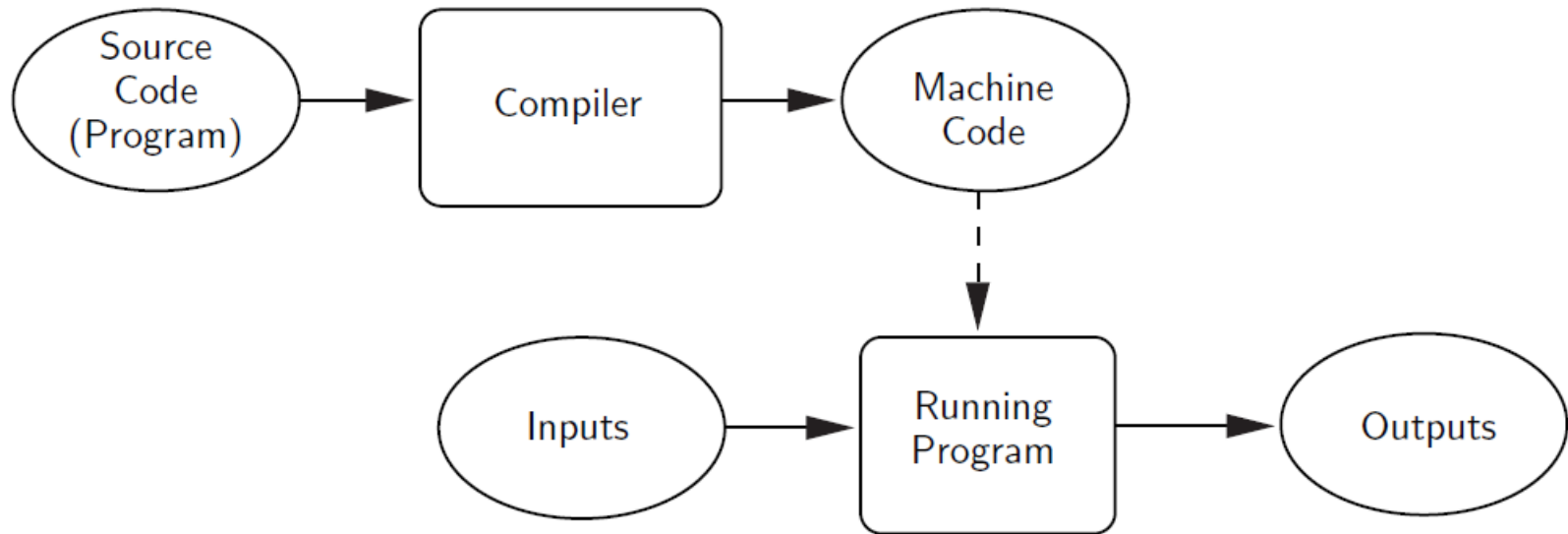


# Programming Languages

---

- High-level language  
**c = a + b**
- This needs to be translated into machine language that the computer can execute.
- *Compilers* convert programs written in a high-level language into the machine language of some computer.

# Programming Languages





# Programming Languages

---

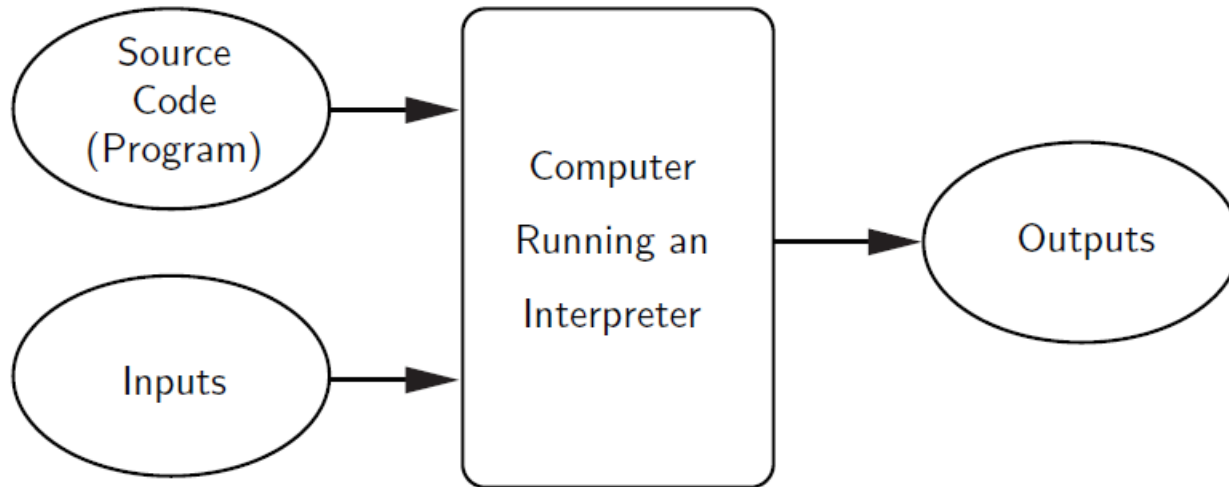
- *Interpreters* simulate a computer that understands a high-level language.
- The source program is not translated into machine language all at once.
- An interpreter analyzes and executes the source code instruction by instruction.





# Programming Languages

---





# Programming Languages

---

- **Compiling vs. Interpreting**
  - Once program is compiled, it can be executed over and over without the source code or compiler. If it is interpreted, the source code and interpreter are needed each time the program runs
  - Compiled programs generally run faster since the translation of the source code happens only once.



# Programming Languages

---

- Interpreted languages are part of a more flexible programming environment since they can be developed and run interactively
- Interpreted programs are more *portable*, meaning the executable code produced from a compiler for a Pentium won't run on a Mac, without recompiling. If a suitable interpreter already exists, the interpreted code can be run with no modifications.



# The Magic of Python

---

When you start Python, you will see something like:

```
Python 3.5.1 (v3.5.1:37a07cee5969, Dec 6 2015, 01:54:25) [MSC v.1900 64 bit (AMD64)] on win32
Type "copyright", "credits" or "license()" for more information.
>>>
```



# The Magic of Python

---

- The “>>>” is a Python *prompt* indicating that Python is ready for us to give it a command. These commands are called *statements*.
- ```
>>> print("Hello, world")
Hello, world
>>> print(2+3)
5
>>> print("2+3=", 2+3)
2+3= 5
>>>
```



# The Magic of Python

---

- Usually we want to execute several statements together that solve a common problem. One way to do this is to use a *function*.

- ```
>>> def hello():  
    print("Hello")  
    print("Computers are Fun")
```

```
>>>
```



# The Magic of Python

---

- ```
>>> def hello():  
    print("Hello")  
    print("Computers are Fun")
```

```
>>>
```

- The first line tells Python we are *defining* a new function called hello.
- The following lines are indented to show that they are part of the hello function.
- The blank line (hit enter twice) lets Python know the definition is finished.



# The Magic of Python

---

- ```
>>> def hello():  
    print("Hello")  
    print("Computers are Fun")  
  
>>>
```
- Notice that nothing has happened yet! We've defined the function, but we haven't told Python to perform the function!
- A function is *invoked* (or *called*) by typing its name.
- ```
>>> hello()  
Hello  
Computers are Fun  
>>>
```





# The Magic of Python

---

- What's the deal with the ()'s?
- Commands can have changeable parts called *parameters* (or *arguments*) that are placed between the ()'s.
- ```
>>> def greet(person):  
    print("Hello", person)  
    print ("How are you?")  
  
>>>
```



# The Magic of Python

---

- ```
>>> greet("Terry")
Hello Terry
How are you?
>>> greet("Paula")
Hello Paula
How are you?
>>>
```
- When we use parameters, we can customize the output of our function.



# The Magic of Python

---

- When we exit the Python prompt, the functions we've defined cease to exist!
- Programs are usually composed of functions, *modules*, or *scripts* that are saved on disk so that they can be used again and again.
- A *module file* is a text file created in text editing software (saved as "plain text") that contains function definitions.
- A *programming environment* is designed to help programmers write programs and usually includes automatic indenting, highlighting, etc.



# The Magic of Python

---

```
# File: chaos.py
# A simple program illustrating chaotic behavior

def main():
    print("This program illustrates a chaotic function")
    x = eval(input("Enter a number between 0 and 1: "))
    for i in range(10):
        x = 3.9 * x * (1 - x)
        print(x)

main()
```

- We'll use *filename.py* when we save our work to indicate it's a Python program.
- In this code we're defining a new function called **main**.
- The `main()` at the end tells Python to run the code.



# The Magic of Python

---

```
>>>
```

```
This program illustrates a chaotic function
```

```
Enter a number between 0 and 1: .5
```

```
0.975
```

```
0.0950625
```

```
0.335499922266
```

```
0.869464925259
```

```
0.442633109113
```

```
0.962165255337
```

```
0.141972779362
```

```
0.4750843862
```

```
0.972578927537
```

```
0.104009713267
```

```
>>>
```



# Inside a Python Program

---

```
# File: chaos.py
```

```
# A simple program illustrating chaotic behavior
```

- Lines that start with `#` are called *comments*
- Intended for human readers and ignored by Python
- Python skips text from `#` to end of line



# Inside a Python Program

---

```
def main():
```

- Beginning of the definition of a function called *main*
- Since our program has only this one module, it could have been written without the *main* function.
- The use of *main* is customary, however.



# Inside a Python Program

---

```
print("This program illustrates a chaotic function")
```

- This line causes Python to print a message introducing the program.





# Inside a Python Program

---

```
x = eval(input("Enter a number between 0 and 1: "))
```

- `x` is an example of a *variable*
- A variable is used to assign a name to a value so that we can refer to it later.
- The quoted information is displayed, and the number typed in response is stored in `x`.



# Inside a Python Program

---

```
for i in range(10):
```

- For is a *loop* construct
- A loop tells Python to repeat the same thing over and over.
- In this example, the following code will be repeated 10 times.



# Inside a Python Program

---

```
x = 3.9 * x * (1 - x)
print(x)
```

- These lines are the *body* of the loop.
- The body of the loop is what gets repeated each time through the loop.
- The body of the loop is identified through indentation.
- The effect of the loop is the same as repeating these two lines 10 times!



# Inside a Python Program

---

```
for i in range(10):  
    x = 3.9 * x * (1 - x)  
    print(x)
```

- These are equivalent!

```
x = 3.9 * x * (1 - x)  
print(x)  
x = 3.9 * x * (1 - x)  
print(x)  
x = 3.9 * x * (1 - x)  
print(x)  
x = 3.9 * x * (1 - x)  
print(x)  
x = 3.9 * x * (1 - x)  
print(x)  
x = 3.9 * x * (1 - x)  
print(x)  
x = 3.9 * x * (1 - x)  
print(x)  
x = 3.9 * x * (1 - x)  
print(x)  
x = 3.9 * x * (1 - x)  
print(x)  
x = 3.9 * x * (1 - x)  
print(x)  
x = 3.9 * x * (1 - x)  
print(x)
```



# Inside a Python Program

---

```
x = 3.9 * x * (1 - x)
```

- This is called an *assignment* statement
- The part on the right-hand side (RHS) of the "=" is a mathematical expression.
- \* is used to indicate multiplication
- Once the value on the RHS is computed, it is stored back into (*assigned*) into x



# Inside a Python Program

---

```
main()
```

- This last line tells Python to *execute* the code in the function *main*



# Chaos and Computers

---

- The chaos.py program:

```
def main():  
    print("This program illustrates a chaotic function")  
    x = eval(input("Enter a number between 0 and 1: "))  
    for i in range(10):  
        x = 3.9 * x * (1 - x)  
        print(x)  
main()
```

- For any given input, returns 10 seemingly random numbers between 0 and 1
- It appears that the value of  $x$  is *chaotic*



# Chaos and Computers

---

- The function computed by program has the general form  $k(x)(1-x)$  where  $k$  is 3.9
- This type of function is known as a logistic function.
- Models certain kinds of unstable electronic circuits and population variation under limiting conditions.
- Very small differences in initial value can have large differences in the output.





# Chaos and Computers

---

Input: 0.25

0.73125

0.76644140625

0.698135010439

0.82189581879

0.570894019197

0.955398748364

0.166186721954

0.540417912062

0.9686289303

0.118509010176

Input: 0.26

0.75036

0.73054749456

0.767706625733

0.6954993339

0.825942040734

0.560670965721

0.960644232282

0.147446875935

0.490254549376

0.974629602149